

CL2002

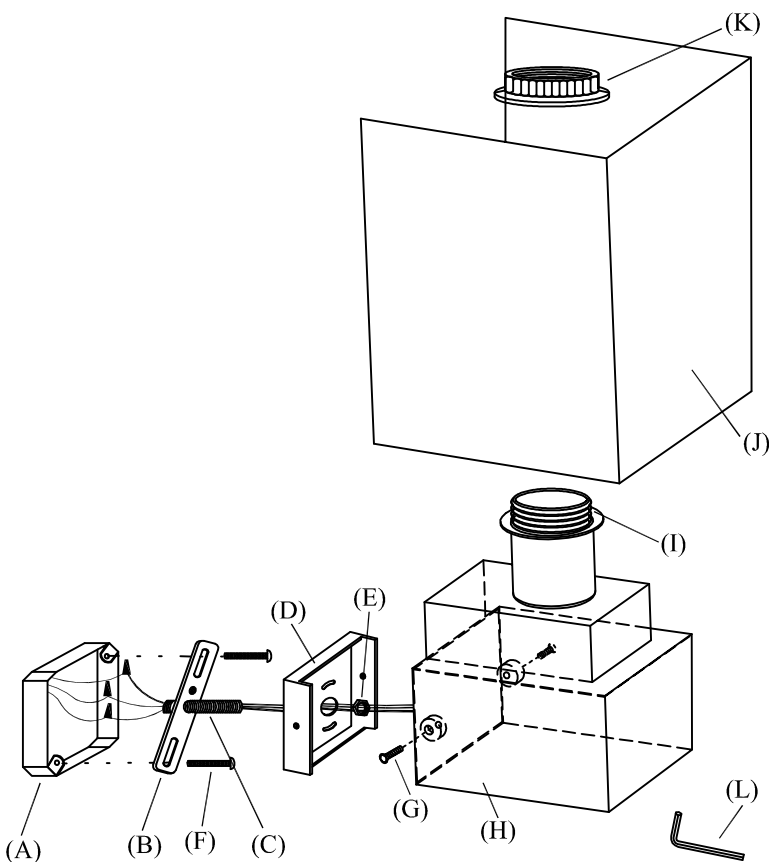
ASSEMBLY & INSTALLATION GUIDE

WE RECOMMEND INSTALLATION OF THIS LIGHTING FIXTURE BE DONE BY A LICENSED ELECTRICIAN.

WARNING * SWITCH OFF THE MAIN ELECTRICAL SUPPLY FROM THE MAIN FUSE BOX/CIRCUIT BREAKER BEFORE INSTALLATION.**

INSPECT ITEM CAREFULLY BEFORE ATTEMPTING TO INSTALL. IF THERE IS ANY DAMAGE OR OBVIOUS DEFECT, DO NOT INSTALL.

ITEM MAY NOT BE RETURNED ONCE IT HAS BEEN INSTALLED.



1. To detach the mounting strap (B) and the back plate (D) from the light fixture, screw off the base screws (G) with allen wrench provided (L) in counter-clockwise direction.
2. Screw off the hex nut (E) from threaded rod (C) in counter-clockwise direction.
3. Position the mounting strap (B) diagonally so that the holes of mounting strap (B) and the outlet box (A) are aligned. Tighten the mounting plate to the wall outlet by the mounting screws provided (F). Mounting screws are wrapped in a plastic bag and taped to the bottom of base box (H).
4. Fasten the neutral (WHITE) fixture wire to the neutral (WHITE) outlet wire with plastic wire connector. Tightly wrap the connection with electrical tape, making sure no wire strands are exposed. Fasten the hot (BLACK) fixture wire to the hot (BLACK) outlet wire. Tightly wrap the connection with electrical tape, making sure no wire strands are exposed. **DO NOT REVERSE THE HOT OR NEUTRAL CONNECTIONS OR SAFETY WILL BE COMPROMISED. IT IS IMPERATIVE THAT THE OUTLET BOX IN YOUR HOME BE PROPERLY GROUND.** Gently push the wiring back into the outlet box (A).
5. Attach back plate (D) to mounting strap (B), tighten it with hex nut (E). Make sure the two side holes of this plate are horizontal.
6. Attach the lighting fixture to the affixed back plate (D) by aligning the holes and inserting the screws (G). Tighten with allen wrench (L).
7. Remove socket ring (K) from threaded socket (I).
8. Attach shade (J) to socket (J) and tighten with socket ring (K).
9. Insert light bulb into socket.
10. Restore power to outlet box. Installation is complete.