

CHO7111

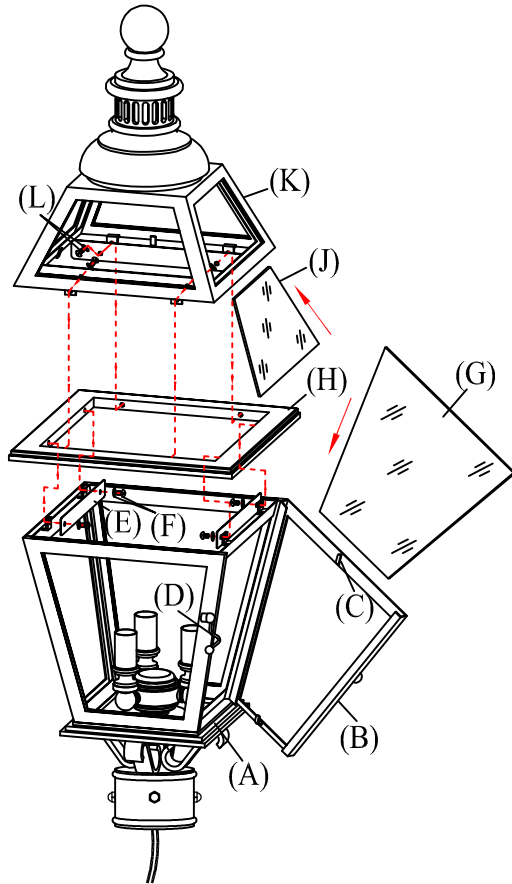
ASSEMBLY & INSTALLATION GUIDE

WE RECOMMEND INSTALLATION OF THIS LIGHTING FIXTURE BE DONE BY A LICENSED ELECTRICIAN.

WARNING * SWITCH OFF THE MAIN ELECTRICAL SUPPLY FROM THE MAIN FUSE BOX/CIRCUIT BREAKER BEFORE INSTALLATION.**

INSPECT ITEM CAREFULLY BEFORE ATTEMPTING TO INSTALL. IF THERE IS ANY DAMAGE OR OBVIOUS DEFECT, DO NOT INSTALL.

ITEM MAY NOT BE RETURNED ONCE IT HAS BEEN INSTALLED.



1. Remove lantern caps (K) & (H) by unscrewing screws/washers (L) & (F).
2. To install glass panel (G) provided to front door (B), make sure metal tab (C) is flipped up. Place glass panel to front frame, secure the glass panel by bending back the metal tab (C) downwards. Insert the other three glass panels into the other three side of the lantern box.
3. Insert glass panels (J) to four sides of lantern box cap (K), and bending back metal tabs to hold glass panels.
4. Metal tabs are attached at the middle of bottom inside of lantern cap (K).
5. Replace lantern box caps (K) & (H) on top of lantern box (A) and secure with brass bands and washers/screws (E), (F) & (L).
6. Connect the black/white wires to outlet wires, and tightly wrapped with wire connectors provided.
7. Insert light bulbs into sockets.
8. Close front door (B) and secure with key (D).