

# CHO7110

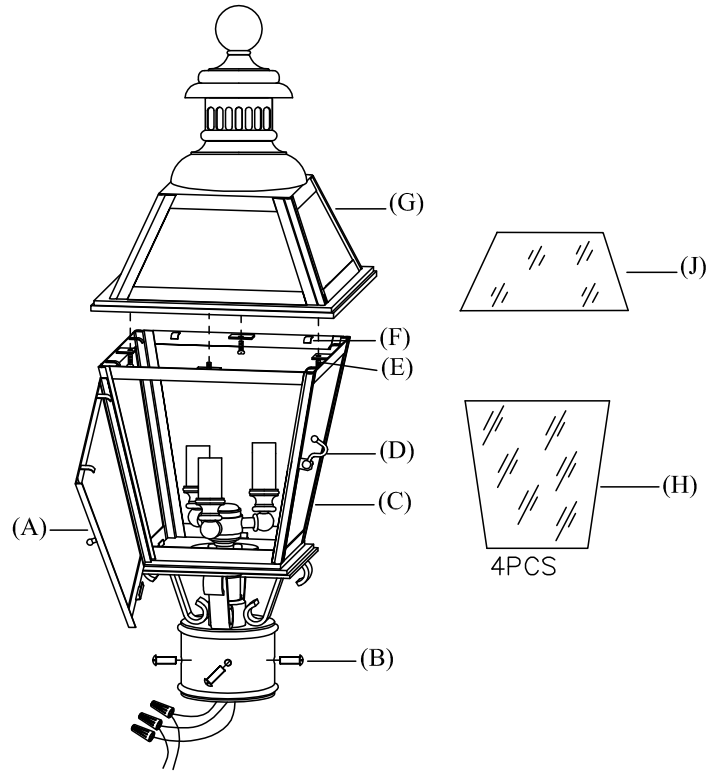
## ASSEMBLY & INSTALLATION GUIDE

**WE RECOMMEND INSTALLATION OF THIS LIGHTING FIXTURE BE DONE BY A LICENSED ELECTRICIAN.**

**WARNING \*\*\* SWITCH OFF THE MAIN ELECTRICAL SUPPLY FROM THE MAIN FUSE BOX/CIRCUIT BREAKER BEFORE INSTALLATION.**

**INSPECT ITEM CAREFULLY BEFORE ATTEMPTING TO INSTALL. IF THERE IS ANY DAMAGE OR OBVIOUS DEFECT, DO NOT INSTALL.**

**ITEM MAY NOT BE RETURNED ONCE IT HAS BEEN INSTALLED.**



1. Remove lantern cap (G) from top of lantern box (C) by removing screws.
2. To install glass panels (H) & (J) provided to each frame, make sure metal tabs (F) are flipped up.
3. Place glass panels to each frame, secure the glass panels by bending back the metal tabs (F) downwards.
4. Place lantern cap (G) back to top of lantern box (C) and secure with screws.
5. Connect the black/white wires to outlet wires, and tightly wrapped with wire connectors provided.
6. Wire the lantern to outlet and secure the lantern box by loosening/tightening thumbscrews (B).
7. Insert light bulbs into sockets.
8. Close front door (A) and secure by inserting locking pin (D).