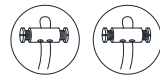
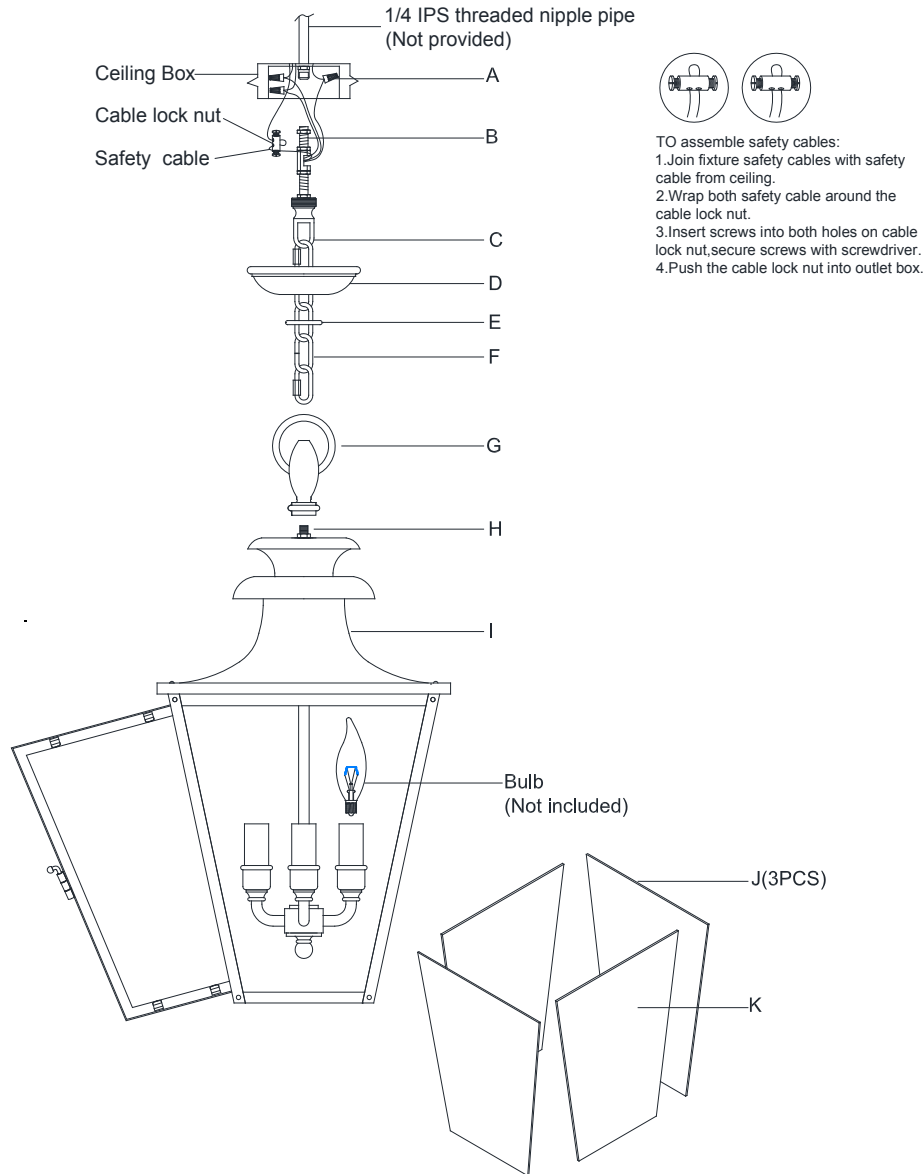


## ASSEMBLY INSTRUCTIONS



## Albermarle Large Hanging Lantern

Item # CHO 5416

**WE RECOMMEND INSTALLATION OF THIS LIGHTING FIXTURE BE DONE BY A LICENSED ELECTRICIAN.**

**WARNING\*\*\*SWITCH OFF THE MAIN ELECTRICAL SUPPLY FROM THE MAIN FUSE BOX/CIRCUIT BREAKER BEFORE INSTALLATION.**

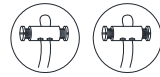
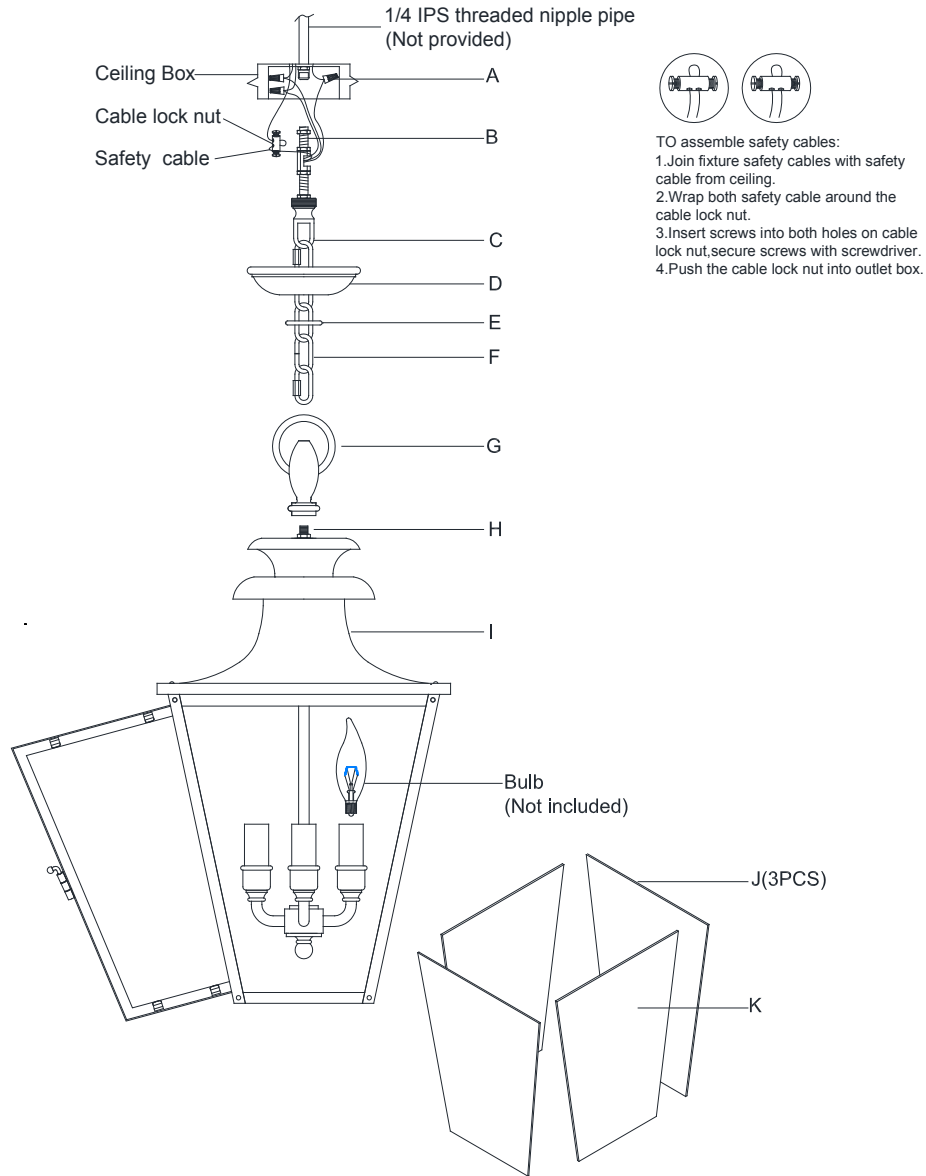
**INSPECT ITEM CAREFULLY BEFORE ATTEMPTING TO INSTALL. IF THERE IS ANY DAMAGE OR OBVIOUS DEFECT. DO NOT INSTALL.**

**ITEM MAY NOT BE RETURNED ONCE IT HAS BEEN INSTALLED.**

**NOTE: CAREFULLY UNPACK EACH PIECE IN TOP LAYER OF PACKING PRIOR TO REMOVING. RETAIN ALL PACKING MATERIAL UNTIL INSPECTION AND INSTALLATION ARE FINAL.**

- Carefully remove all parts from the box.
- Feed the fixture wire, ground wire and safety cable pass through the top loop (G), then thread the top loop (G) to the top of the fixture body (I).
- Place glass panels (J) on the side of the frame and secure it by bending the metal tabs.
- Place glass panel (K) on the door of the frame and secure it by bending the metal tabs.
- Provide a 1/4" IPS pipe with one end securely mounted to a beam or a structural member. The other end should protrude through the center of the outlet box as shown.
- Install the threaded nipple (B) into the support pipe and adjust overall length to allow the canopy ring to hold the canopy flush to the ceiling.
- Put canopy (D) flush to the ceiling, and secure with collar ring (E).
- With the fixture desired height, shorten the chain (F) as needed using a pair of chain pliers.
- Open one chain quick link, then attach the chain quick link to the ceiling loop (C). Secure the chain quick link.
- Open another chain quick link, then attach the chain quick link to the top loop (G). Secure the chain quick link.
- Weave the power supply cord and the ground wire through the chain (F).
- Loosen the collar ring (E) and let the canopy (D) slip down the chain carefully.
- Feed the fixture wire and ground wire through the ceiling loop (C) and pull until taut. Measure the wires then cut. Be certain to leave enough length to connect inside of the ceiling junction box.
- Strip the insulation back on the two power supply wires about 5/8".

# ASSEMBLY INSTRUCTIONS



TO assemble safety cables:  
 1. Join fixture safety cables with safety cable from ceiling.  
 2. Wrap both safety cable around the cable lock nut.  
 3. Insert screws into both holes on cable lock nut, secure screws with screwdriver.  
 4. Push the cable lock nut into outlet box.

## Albermarle Large Hanging Lantern

Item # CHO 5416

**WE RECOMMEND INSTALLATION OF THIS LIGHTING FIXTURE BE DONE BY A LICENSED ELECTRICIAN.**

**WARNING\*\*\*SWITCH OFF THE MAIN ELECTRICAL SUPPLY FROM THE MAIN FUSE BOX/CIRCUIT BREAKER BEFORE INSTALLATION.**

**INSPECT ITEM CAREFULLY BEFORE ATTEMPTING TO INSTALL. IF THERE IS ANY DAMAGE OR OBVIOUS DEFECT. DO NOT INSTALL.**

**ITEM MAY NOT BE RETURNED ONCE IT HAS BEEN INSTALLED.**

**NOTE: CAREFULLY UNPACK EACH PIECE IN TOP LAYER OF PACKING PRIOR TO REMOVING. RETAIN ALL PACKING MATERIAL UNTIL INSPECTION AND INSTALLATION ARE FINAL.**

15. Connect the fixture ground (bare) wire with the ground wire from the junction box using wire nut (A). If your house does not have ground wire, then attach this wire to the green grounding screw inside of the outlet box.

IT IS IMPERATIVE THAT THIS FIXTURE BE GROUNDED.

16. Connect the fixture Neutral wire (ribbed) with the neutral wire (White) from the junction box using wire nut (A).

17. Connect the fixture Hot (smooth, marks with words) wire with the hot wire (Black) from the junction box using wire nut (A).

DO NOT REVERSE THE HOT AND NEUTRAL CONNECTIONS OR SAFETY WILL BE COMPROMISED.

18. Tuck these wire connections neatly into the junction box to secure.

19. Put canopy (D) flush to the ceiling, and secure with collar ring (E).

20. Insert bulbs (not included) into the sockets.

21. Installation is complete, turn on power at fuse or circuit breaker.

\*\*\*Clean with a dry, soft cloth only. Use no harsh abrasives or chemical agents.