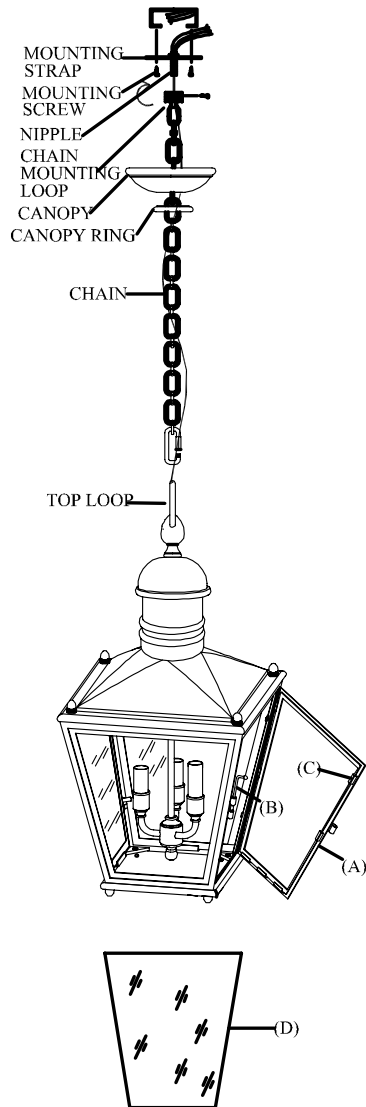


## ASSEMBLY INSTRUCTIONS



## Sussex Medium Hanging Lantern

Item # CHO5032

**WE RECOMMEND INSTALLATION OF THIS LIGHTING FIXTURE BE DONE BY A LICENSED ELECTRICIAN.**

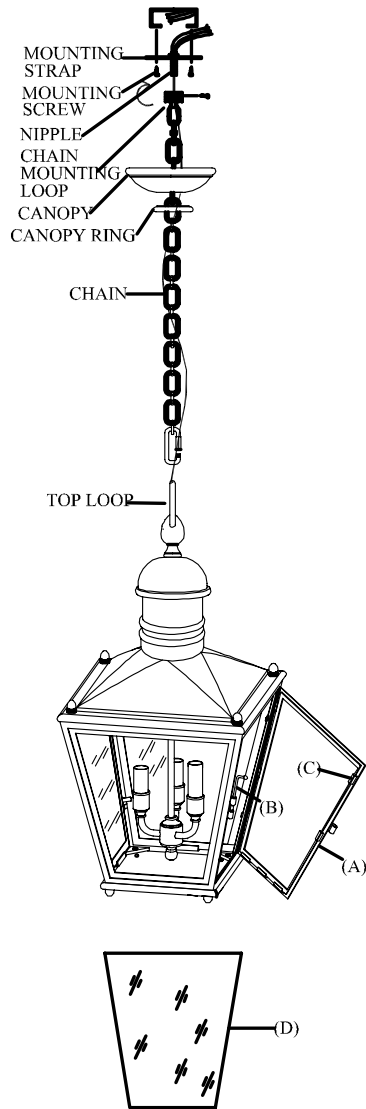
**WARNING \*\*\* SWITCH OFF THE MAIN ELECTRICAL SUPPLY FROM THE MAIN FUSE BOX/CIRCUIT BREAKER BEFORE INSTALLATION.**

**INSPECT ITEM CAREFULLY BEFORE ATTEMPTING TO INSTALL. IF THERE IS ANY DAMAGE OR OBVIOUS DEFECT, DO NOT INSTALL.**

**ITEM MAY NOT BE RETURNED ONCE IT HAS BEEN INSTALLED.**

1. Attach chain to top loop on lantern box. Feed wire through chain and mounting loop. Slide canopy on chain.
2. Attach mounting strap to mounting outlet box. Insert top thread nipple in mounting strap. Attach chain mounting loop to thread nipple.
3. Attach chain with fixture to chain mounting loop at desired height. Attach the ground wire (silver or brass in color) from the fixture to the ground junction box wire (usually green or copper wire). Fasten together with a plastic wire connector and wrap the connection with electrical tape.  
BE SURE NO WIRE STRANDS ARE EXPOSED. IT IS IMPERATIVE THAT THE OUTLET BOX IN YOUR HOME BE PROPERLY GROUNDED.
4. Connect the neutral wire from the fixture (ridged molded wire) to the neutral wire from the junction box (usually white). Fasten together with a plastic wire connector and wrap the connection with electrical tape.  
BE SURE NO WIRE STRANDS ARE EXPOSED.
5. Connect the hot wire from the fixture (smooth wire) to the hot wire (usually black) from the junction box. Fasten each together with a plastic wire connector and wrap the connection with electrical tape.  
BE SURE THAT NO WIRE STRANDS ARE EXPOSED.  
DO NOT REVERSE THE HOT AND NEUTRAL CONNECTIONS OR SAFETY WILL BE COMPROMISED.
6. To install glass panels (D) provided to each section, make sure metal tabs (C) are flipped up. Place glass panels to each frame, secure the glass panels by bending back the metal tabs (C) downwards.
7. Slip canopy to ceiling and secure with threaded canopy ring.

## ASSEMBLY INSTRUCTIONS



## Sussex Medium Hanging Lantern

Item # CHO5032

**WE RECOMMEND INSTALLATION OF THIS LIGHTING FIXTURE BE DONE BY A LICENSED ELECTRICIAN.**

**WARNING \*\*\* SWITCH OFF THE MAIN ELECTRICAL SUPPLY FROM THE MAIN FUSE BOX/CIRCUIT BREAKER BEFORE INSTALLATION.**

**INSPECT ITEM CAREFULLY BEFORE ATTEMPTING TO INSTALL. IF THERE IS ANY DAMAGE OR OBVIOUS DEFECT, DO NOT INSTALL.**

**ITEM MAY NOT BE RETURNED ONCE IT HAS BEEN INSTALLED.**

8. Insert light bulbs into the sockets.
9. Close front door (A) and lock with inserting plug (B).

INSTRUCTIONS FOR MOUNTING FIXTURE OUTDOORS AND/OR IN WET LOCATION:

1. Mounting surface should be clean, dry, flat and 1 1/4" (1.25") larger than canopy/ fixture base on all sides. Any gaps between the mounting surface and canopy exceeding 3/16" should be corrected as required.
2. With silicone (ex. GE-I 08) caulking compound, caulk completely around where back of canopy meets wall surface to prevent water from seeping into outlet box.