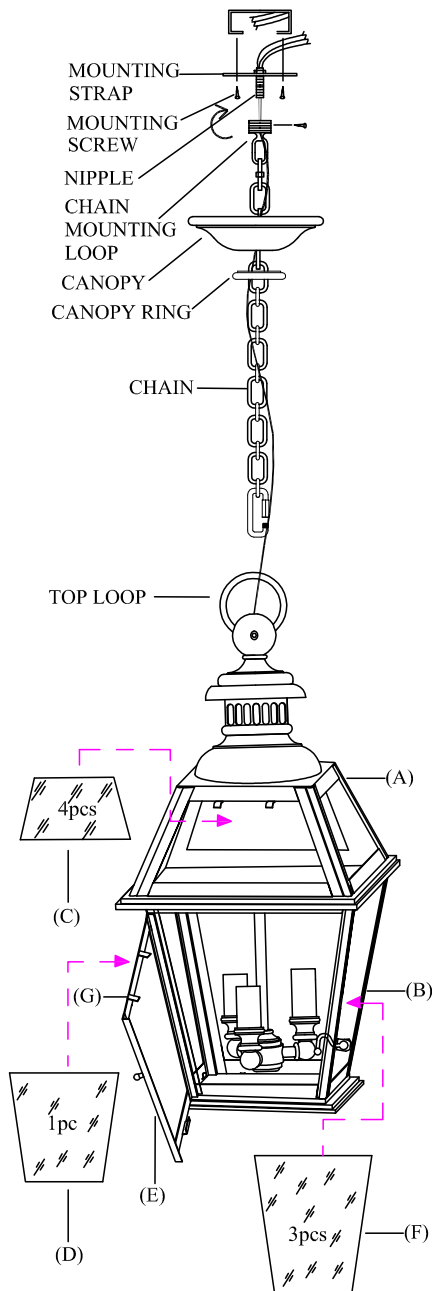


CHO5003

ASSEMBLY & INSTALLATION GUIDE



WE RECOMMEND INSTALLATION OF THIS LIGHTING FIXTURE BE DONE BY A LICENSED ELECTRICIAN.

WARNING * SWITCH OFF THE MAIN ELECTRICAL SUPPLY FROM THE MAIN FUSE BOX/CIRCUIT BREAKER BEFORE INSTALLATION.**

INSPECT ITEM CAREFULLY BEFORE ATTEMPTING TO INSTALL. IF THERE IS ANY DAMAGE OR OBVIOUS DEFECT, DO NOT INSTALL.

ITEM MAY NOT BE RETURNED ONCE IT HAS BEEN INSTALLED.

1. To install glass panels (C), (D) & (F) provided to each section, make sure metal tabs (G) are flipped up. Place glass panels (C) to each frame of lantern cap (A), secure the glass panels by bending back the metal tabs (G) downwards.
2. Place glass panels (F) to three side frame of lantern box (B), secure the glass panels by bending back the metal tabs (G) downwards.
3. Place glass panel (D) to the frame of front door (E), secure the glass panels by bending back the metal tabs (G) downwards.
4. Attach chain to top loop. Feed wire through chain and mounting loop. Step 7 Slide canopy on chain.
5. Attach mounting strap to mounting outlet box.
6. Insert top thread nipple in mounting strap. Step 10 Attach chain mounting loop to thread nipple.
7. Attach chain with fixture to chain mounting loop at desired height. Step 12 Attach the ground wire (silver or brass in color) from the fixture to the ground junction box wire (usually green or copper wire). Fasten together with a plastic wire connector and wrap the connection with electrical tape. Be sure no wire strands are exposed. IT IS IMPERATIVE THAT THE OUTLET BOX IN YOUR HOME BE PROPERLY GROUNDED. BE SURE NO WIRE STRANDS.
8. Connect the neutral wire from the fixture (ridged molded wire) to the neutral wire from the junction box (usually white). Fasten together with a plastic wire connector and wrap the connection with electrical tape. Be sure no wire strands are exposed.
9. Connect the hot wire from the fixture (smooth wire) to the hot wire (usually black) from the junction box. Fasten each together with a plastic wire connector and wrap the connection with electrical tape. Be sure that no wire strands are exposed DO NOT REVERSE THE HOT AND NEUTRAL CONNECTIONS OR SAFETY WILL BE COMPROMISED.
10. Slip canopy to ceiling and secure with threaded canopy ring. Insert light bulbs into the sockets.
11. Close front door (E) and secure by rotating the hook.