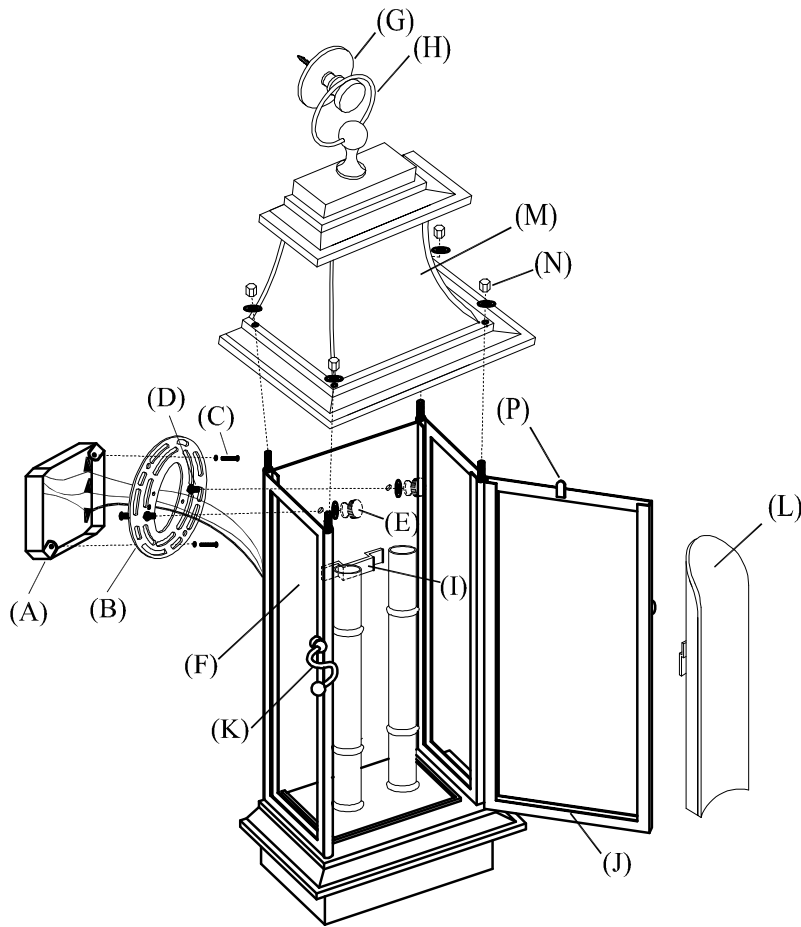


ASSEMBLY INSTRUCTIONS



Club Door Large Lantern

Item # CHO2400

WE RECOMMEND INSTALLATION OF THIS LIGHTING FIXTURE BE DONE BY A LICENSED ELECTRICIAN.

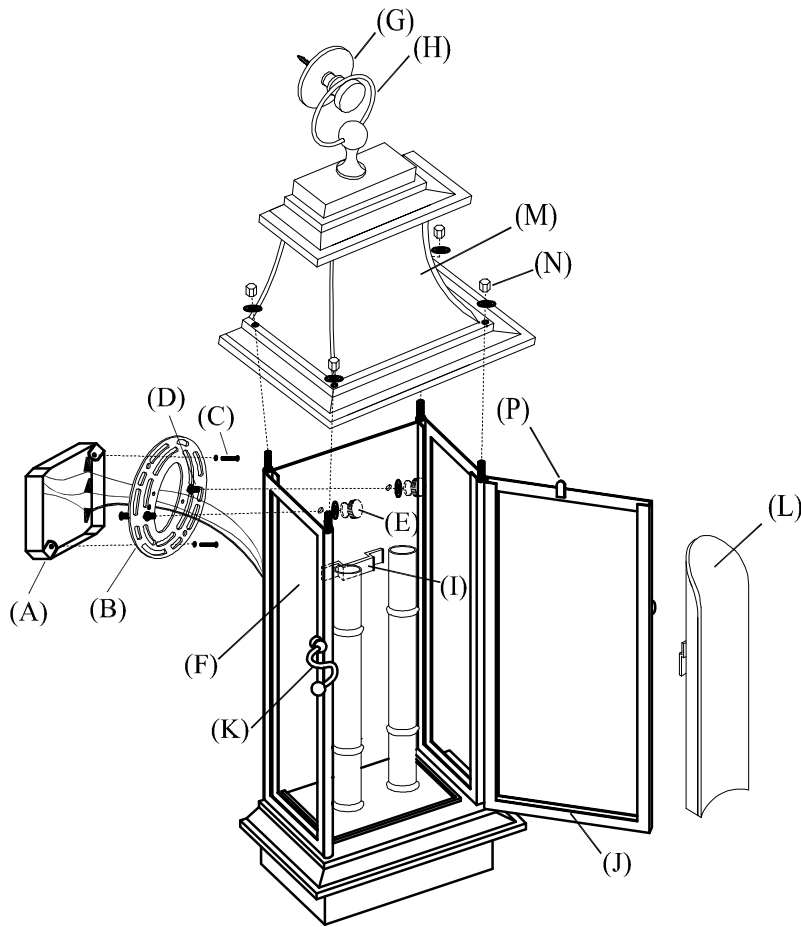
WARNING * SWITCH OFF THE MAIN ELECTRICAL SUPPLY FROM THE MAIN FUSE BOX/CIRCUIT BREAKER BEFORE INSTALLATION.**

INSPECT ITEM CAREFULLY BEFORE ATTEMPTING TO INSTALL. IF THERE IS ANY DAMAGE OR OBVIOUS DEFECT, DO NOT INSTALL.

ITEM MAY NOT BE RETURNED ONCE IT HAS BEEN INSTALLED.

1. Position mounting plate (B) diagonally so that the holes of mounting plate (B) and wall outlet (A) are aligned. Tighten mounting plate (B) onto wall outlet (A) by screws (C).
2. Place lantern box (F) over outlet box in desired orientation. Using the lantern box as a template, mark the location of top finial with screw (G) on the wall. Remove lantern box and attach (G) at the marked location.
3. Remove lantern box cap (M) by unscrewing cap nuts (N).
4. Attach the ground (green) wire to the ground wire from the wall outlet box (usually green or copper in color), and fasten together with a plastic wire connector. Tightly wrap the wire connector with electrical tape so the end of the connector is sealed. IT IS IMPERATIVE THAT THE OUTLET BOX IN YOUR HOME BE PROPERLY GROUNDED.
5. Connect neutral (white) fixture wire to neutral (usually white) wire from wall outlet box (A). Fasten both wires together with a plastic wire connector and tightly wrap the wire connector with electrical tape.
6. Repeat the procedure with the hot (black) wires. Always make sure that no wire strands are left outside the connectors. DO NOT REVERSE THE HOT AND NEUTRAL CONNECTIONS OR SAFETY WILL BE COMPROMISED.
7. Gently push lantern box (F) onto outlet box (A), letting rods (D) pass through the holes on back plate of lantern box (F). Position light fixture and tighten by screwing the cap nuts (E) to the exposed part of rods (D) in clockwise direction. Attach light reflector (L) to the hook (I). Note: Insert from the top opening of lantern box (F).

ASSEMBLY INSTRUCTIONS



Club Door Large Lantern

Item # CHO2400

WE RECOMMEND INSTALLATION OF THIS LIGHTING FIXTURE BE DONE BY A LICENSED ELECTRICIAN.

WARNING * SWITCH OFF THE MAIN ELECTRICAL SUPPLY FROM THE MAIN FUSE BOX/CIRCUIT BREAKER BEFORE INSTALLATION.**

INSPECT ITEM CAREFULLY BEFORE ATTEMPTING TO INSTALL. IF THERE IS ANY DAMAGE OR OBVIOUS DEFECT, DO NOT INSTALL.

ITEM MAY NOT BE RETURNED ONCE IT HAS BEEN INSTALLED.

- To install glass panel provided to front door (J), make sure the metal tab (P) is flipped up. Place glass panel to front frame, secure the glass panel by bending back the metal tab (P) downwards. Insert the other two glass panels into both sides of lantern box (F).
- Replace lantern box cap (M) on top of lantern box (F) and secure with cap nut (N). Make sure top loop (H) is secured on the concave of top finial (G).
- Insert light bulbs into sockets. Close front door (J) and secured by key (K).

INSTRUCTIONS FOR MOUNTING FIXTURE OUTDOORS AND/OR IN WET LOCATION:

- Mounting surface should be clean, dry, flat and 1 1/4" (1.25") larger than the backplate on all sides. Any gaps between the mounting surface and backplate exceeding 3/16" should be corrected as required.
- With silicone (ex. GE-108) caulking compound, caulk completely around where back of the backplate meets the wall surface to prevent water from seeping into outlet box.

