

ASSEMBLY INSTRUCTIONS

Sussex Large Bracket Lantern

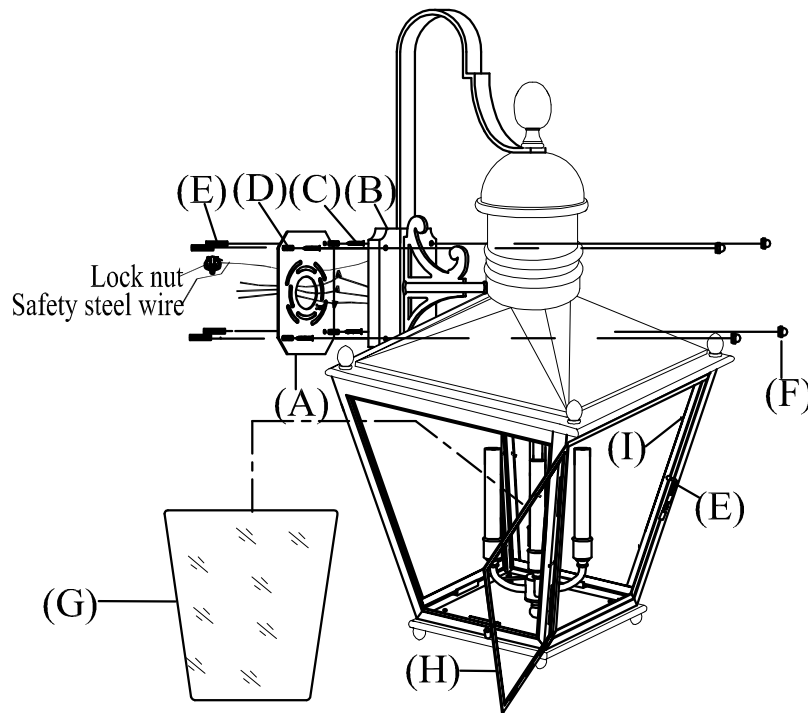
Item # CHO2033

WE RECOMMEND INSTALLATION OF THIS LIGHTING FIXTURE BE DONE BY A LICENSED ELECTRICIAN.

WARNING * SWITCH OFF THE MAIN ELECTRICAL SUPPLY FROM THE MAIN FUSE BOX/CIRCUIT BREAKER BEFORE INSTALLATION.**

INSPECT ITEM CAREFULLY BEFORE ATTEMPTING TO INSTALL. IF THERE IS ANY DAMAGE OR OBVIOUS DEFECT, DO NOT INSTALL.

ITEM MAY NOT BE RETURNED ONCE IT HAS BEEN INSTALLED.



1. Remove back plate (A) from fixture base (B) by unscrewing cap nuts (F) in counter-clockwise direction.
2. Position back plate (A) onto wall outlet box in desired orientation and use it as a template, mark locations for four corner holes on the wall. Remove backplate (A).
3. Drill small holes on the marked locations, the holes should be big enough to accommodate with plastic anchors (E).
4. Push plastic anchors (E) into the holes.
5. Install safety steel wire to back plate (A) as shown in illustration. Position back plate (A) onto outlet box, aligning mounting holes with center holes of plastic anchors (E) and inserting screws (C) to secure back plate (A) to the wall.
6. Attach ground (green) fixture wire to ground wire from the wall outlet box (usually green or copper in color), and fasten together with a plastic wire connector. Tightly wrap the wire connector with electrical tape so the end of the connector is sealed. IT IS IMPERATIVE THAT THE OUTLET BOX IN YOUR HOME BE PROPERLY GROUNDED.
7. Connect neutral (white) fixture wire to neutral (usually white) wire from wall outlet box. Fasten both wires together with a plastic wire connector and tightly wrap the wire connector with electrical tape.
8. Repeat the procedure with the hot (black) wires. Always make sure that no wire strands are left outside the connectors. DO NOT REVERSE THE HOT AND NEUTRAL CONNECTIONS OR SAFETY WILL BE COMPROMISED.
9. Gently push fixture base (B) onto wall outlet, letting rods (D) pass through the holes on fixture base (B) and tightening by screwing cap nuts (F) to the exposed part of rods (D) in clockwise direction.



ASSEMBLY INSTRUCTIONS

Sussex Large Bracket Lantern

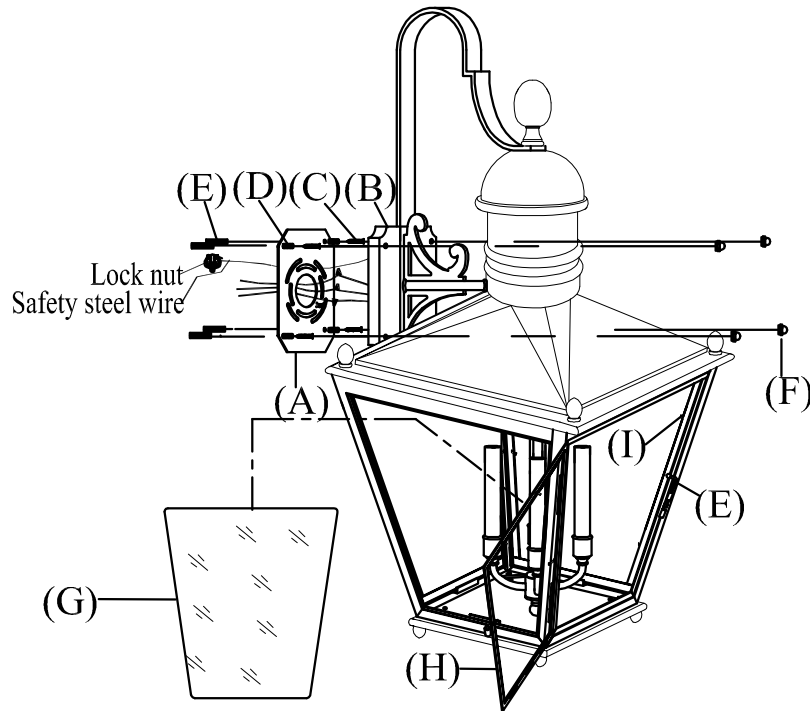
Item # CHO2033

WE RECOMMEND INSTALLATION OF THIS LIGHTING FIXTURE BE DONE BY A LICENSED ELECTRICIAN.

WARNING * SWITCH OFF THE MAIN ELECTRICAL SUPPLY FROM THE MAIN FUSE BOX/CIRCUIT BREAKER BEFORE INSTALLATION.**

INSPECT ITEM CAREFULLY BEFORE ATTEMPTING TO INSTALL. IF THERE IS ANY DAMAGE OR OBVIOUS DEFECT, DO NOT INSTALL.

ITEM MAY NOT BE RETURNED ONCE IT HAS BEEN INSTALLED.



10. To install glass panels (G) provided to each frame, make sure metal tabs (I) are flipped up. Place glass panels to front frame, secure the glass panels by bending back the metal tabs (I) downwards.
11. Insert light bulbs into sockets. Close front door (H) and secure by inserting plug (E).

INSTRUCTIONS FOR MOUNTING FIXTURE OUTDOORS AND/OR IN WET LOCATION:

1. Mounting surface should be clean, dry, flat and 1/4" larger than the backplate on all sides. Any gaps between the mounting surface and backplate exceeding 3/16" should be corrected as required.
2. With silicone (ex. GE-I 08) caulking compound, caulk completely around where back of the backplate meets the wall surface to prevent water from seeping into outlet box

