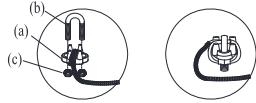


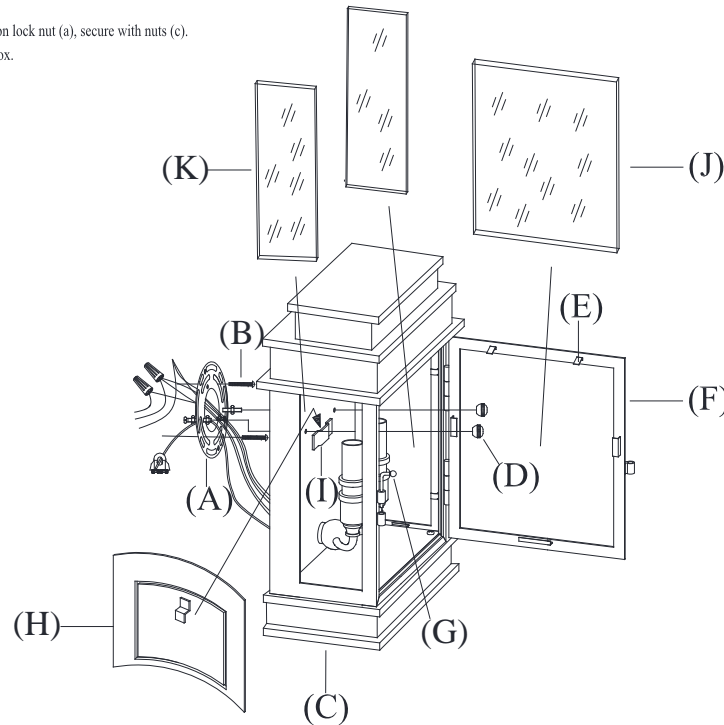
ASSEMBLY INSTRUCTIONS

Illustration A:



To install safety cables:

1. Thread safety steel wire into slot on mounting plate (A).
2. Wrap the safety steel wire around the lock nut (a).
Note: Length of safety steel wire must be shorter than fixture wires (White/black/green wires).
3. Insert clip (b) into both holes on lock nut (a), secure with nuts (c).
4. Push the lock nut into outlet box.



Linear Lantern Short

Item # CHD2908

WE RECOMMEND INSTALLATION OF THIS LIGHTING FIXTURE BE DONE BY A LICENSED ELECTRICIAN.

WARNING * SWITCH OFF THE MAIN ELECTRICAL SUPPLY FROM THE MAIN FUSE BOX/CIRCUIT BREAKER BEFORE INSTALLATION.**

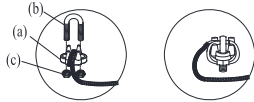
INSPECT ITEM CAREFULLY BEFORE ATTEMPTING TO INSTALL. IF THERE IS ANY DAMAGE OR OBVIOUS DEFECT, DO NOT INSTALL.

ITEM MAY NOT BE RETURNED ONCE IT HAS BEEN INSTALLED.

1. Remove mounting plate (A) from lantern base (C) by removing cap nuts (D).
2. Install safety steel wire to mounting plate (A) as shown in illustration A.
3. Attach ground (green) wire to ground wire from wall outlet box (usually green or copper in color), fasten together with a plastic wire connector. Tightly wrap the wire connector with electrical tape so the end of the connector is sealed.
IT IS IMPERATIVE THAT THE OUTLET BOX IN YOUR HOME BE PROPERLY GROUNDED.
4. Connect neutral (white) fixture wire coming from fixture base to neutral (usually white) outlet wire. Fasten both wires together with a plastic wire connector and tightly wrap the wire connector with electrical tape.
5. Repeat the procedure with the hot (black) wires. Always make sure that no wire strands are left outside the connectors. **DO NOT REVERSE THE HOT AND NEUTRAL CONNECTIONS OR SAFETY WILL BE COMPROMISED.**
6. Position the mounting plate (A) diagonally so that the holes of mounting plate (A) and the wall outlet are aligned. Tighten the mounting plate onto the wall outlet by mounting screws (B) provided.
7. Gently push the lantern base (C) onto affixed mounting plate (A), letting rods on mounting plate pass through the holes on the lantern base (C) and tighten by screwing cap nuts (D) to the exposed part of rods in clockwise direction.
8. Attach light reflector (H) to hook (I). To install glass panel (J) provided to front frame, make sure metal tabs (E) are flipped up. Place glass panel to front frame, secure the glass panel by bending back the metal tabs (E) downwards. To install rest two glass panels (K) into the side frames and secure with the metal tabs on the frame.

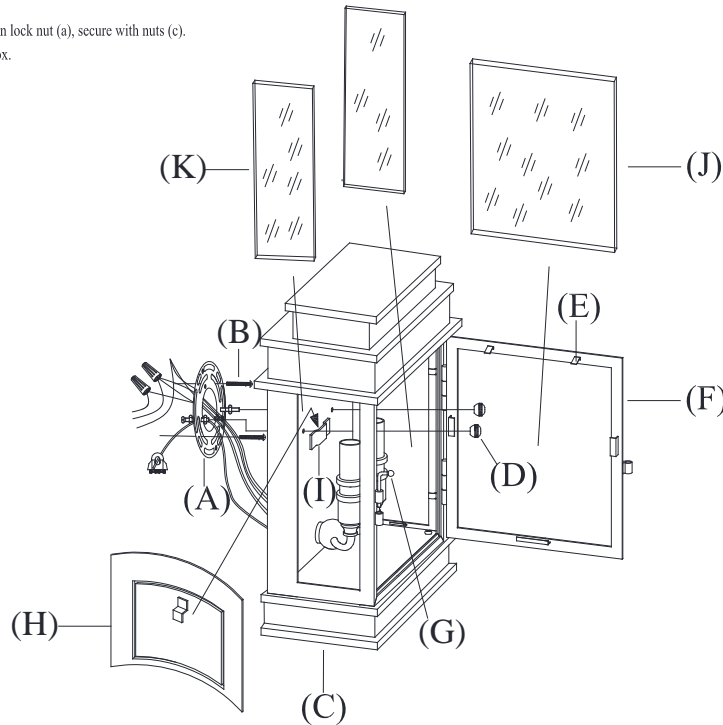
ASSEMBLY INSTRUCTIONS

Illustration A:



To install safety cables:

1. Thread safety steel wire into slot on mounting plate (A).
2. Wrap the safety steel wire around the lock nut (a).
Note: Length of safety steel wire must be shorter than fixture wires (White/black/green wires).
3. Insert clip (b) into both holes on lock nut (a), secure with nuts (c).
4. Push the lock nut into outlet box.



Linear Lantern Short

Item # CHD2908

WE RECOMMEND INSTALLATION OF THIS LIGHTING FIXTURE BE DONE BY A LICENSED ELECTRICIAN.

WARNING * SWITCH OFF THE MAIN ELECTRICAL SUPPLY FROM THE MAIN FUSE BOX/CIRCUIT BREAKER BEFORE INSTALLATION.**

INSPECT ITEM CAREFULLY BEFORE ATTEMPTING TO INSTALL. IF THERE IS ANY DAMAGE OR OBVIOUS DEFECT, DO NOT INSTALL.

ITEM MAY NOT BE RETURNED ONCE IT HAS BEEN INSTALLED.

9. Insert light bulbs into the sockets. Close the front door (F) and secure by inserting locking pin (G).

INSTRUCTIONS FOR MOUNTING FIXTURE OUTDOORS AND/OR IN WET LOCATION:

1. Mounting surface should be clean, dry, flat and 1/4" larger than the backplate on all sides. Any gaps between the mounting surface and backplate exceeding 3/16" should be corrected as required.
2. With silicone (ex. GE-108) caulking compound, caulk completely around where back of the backplate meets the wall surface to prevent water from seeping into outlet box.