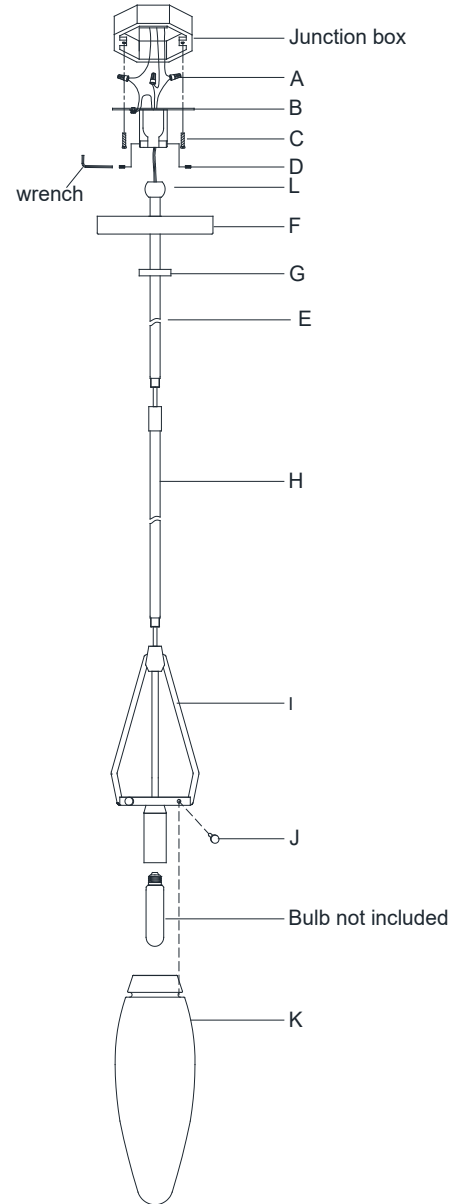


## ASSEMBLY INSTRUCTIONS



## Myla Medium Single Pendant

Item# CHC5421

**WE RECOMMEND INSTALLATION OF THIS LIGHTING FIXTURE BE DONE BY A LICENSED ELECTRICIAN.**

**WARNING\*\*\*SWITCH OFF THE MAIN ELECTRICAL SUPPLY FROM THE MAIN FUSE BOX/CIRCUIT BREAKER BEFORE INSTALLATION.**

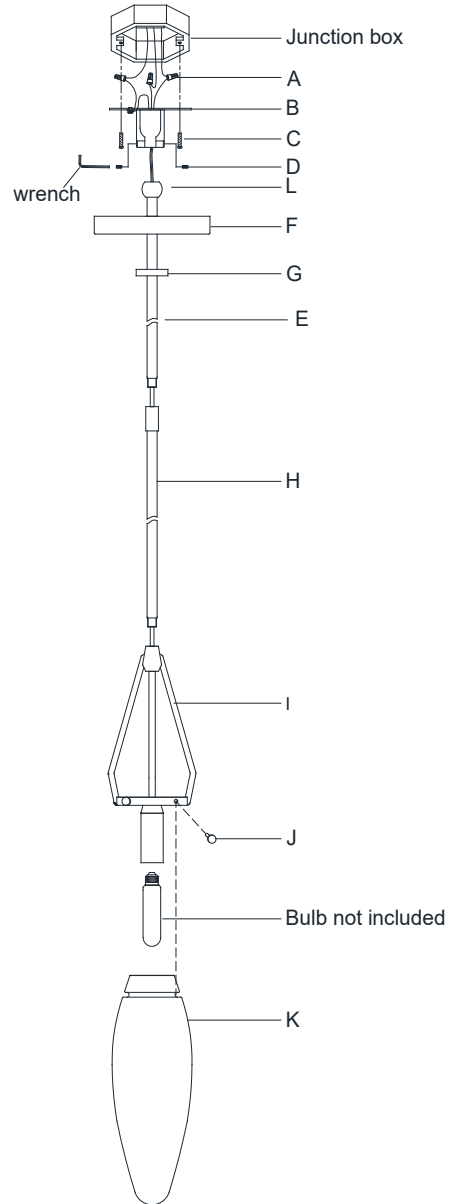
**INSPECT ITEM CAREFULLY BEFORE ATTEMPTING TO INSTALL. IF THERE IS ANY DAMAGE OR OBVIOUS DEFECT. DO NOT INSTALL.**

**ITEM MAY NOT BE RETURNED ONCE IT HAS BEEN INSTALLED.**

**NOTE: CAREFULLY UNPACK EACH PIECE IN TOP LAYER OF PACKING PRIOR TO REMOVING. RETAIN ALL PACKING MATERIAL UNTIL INSPECTION AND INSTALLATION ARE FINAL.**

1. Carefully remove all parts from the box.
2. Remove the mounting plate (B) from the canopy (F) by loosening the canopy ring (G).
3. Install the mounting plate (B) to junction box and secure with the mounting screws (C).
4. Feed the wires through the rod (H), canopy ring (G), canopy (F) and rod (E).
5. Thread the rod (H) to the top of fixture body (I), then thread the tube (E) to the rod (H).
6. Hang the fixture swivel ball (L) to the center of the mounting plate (B) and secure with the set screws (D) using the wrench provided.
7. Measure the wires then cut, be certain to leave enough length to connect to the wires in the junction box.
8. Strip the insulation on the fixture wires about 5/8".
9. Wrap the fixture ground wire to the green ground screw on the mounting plate (B) and secure, then connect to ground wire in the junction box using wire nut (A).  
IT IS IMPERATIVE THAT THIS FIXTURE BE GROUNDED.
10. Connect the fixture ribbed wire (no marking) to the junction box neutral wire with the wire nut (A).
11. Connect the fixture smooth wire (with marking) to the junction box hot wire with the wire nut (A).  
DO NOT REVERSE THE HOT AND NEUTRAL CONNECTIONS OTHERWISE SAFETY WILL BE COMPROMISED.
12. Carefully tuck the wire connections into the junction box.
13. Install the canopy (F) to the junction box and secure with the canopy ring (G).
14. Insert light bulb (not included) into socket.

## ASSEMBLY INSTRUCTIONS



## Myla Medium Single Pendant

Item# CHC5421

**WE RECOMMEND INSTALLATION OF THIS LIGHTING FIXTURE BE DONE BY A LICENSED ELECTRICIAN.**

**WARNING\*\*\*SWITCH OFF THE MAIN ELECTRICAL SUPPLY FROM THE MAIN FUSE BOX/CIRCUIT BREAKER BEFORE INSTALLATION.**

**INSPECT ITEM CAREFULLY BEFORE ATTEMPTING TO INSTALL. IF THERE IS ANY DAMAGE OR OBVIOUS DEFECT. DO NOT INSTALL.**

**ITEM MAY NOT BE RETURNED ONCE IT HAS BEEN INSTALLED.**

**NOTE: CAREFULLY UNPACK EACH PIECE IN TOP LAYER OF PACKING PRIOR TO REMOVING. RETAIN ALL PACKING MATERIAL UNTIL INSPECTION AND INSTALLATION ARE FINAL.**

15. Unscrew the thumbscrews (J) then attach the glass shade (K) to the fixture body (I) and secure with the thumbscrews (J).
16. Installation is complete, turn on power at fuse or circuit breaker.

\*\*\*Clean with a dry, soft cloth only. Use no harsh abrasives or chemical agents.