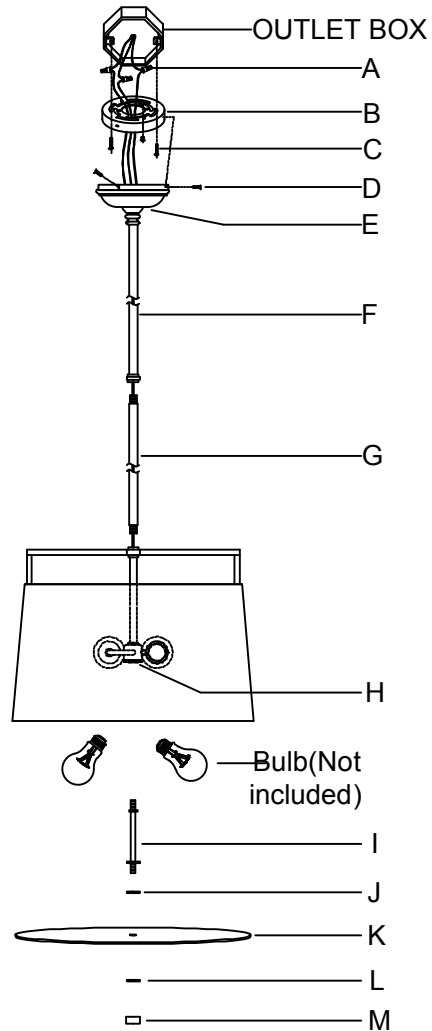


# ASSEMBLY INSTRUCTIONS



## Bryden Medium Round Pendant

Item # CHC 5095

**WE RECOMMEND INSTALLATION OF THIS LIGHTING FIXTURE BE DONE BY A LICENSED ELECTRICIAN.**

**WARNING\*\*\*SWITCH OFF THE MAIN ELECTRICAL SUPPLY FROM THE MAIN FUSE BOX/CIRCUIT BREAKER BEFORE INSTALLATION.**

**INSPECT ITEM CAREFULLY BEFORE ATTEMPTING TO INSTALL. IF THERE IS ANY DAMAGE OR OBVIOUS DEFECT. DO NOT INSTALL.**

**ITEM MAY NOT BE RETURNED ONCE IT HAS BEEN INSTALLED.**

**NOTE: CAREFULLY UNPACK EACH PIECE IN TOP LAYER OF PACKING PRIOR TO REMOVING. RETAIN ALL PACKING MATERIAL UNTIL INSPECTION AND INSTALLATION ARE FINAL.**

1. Carefully remove all parts from the box.
2. Remove the mounting plate (B) from the canopy (E) by loosening the side screws (D).
3. Install the mounting plate (B) to the outlet box by mounting screws (C) provided.
3. Thread together for the stem (G) and stem (F).
4. Thread the assembled stem (G) to the top of fixture.
5. Thread the pipe (I) to the wiring box (H).
6. Insert bulbs (not included ) into the sockets.
7. Attach the diffuser (K) to the bottom of fixture and secure with washer (J),(L) and finial (M).
8. Connect the fixture ground (bare) wire with the ground wire from the outlet box using wire nut (A). If your house does not have ground wire, then attach this wire to the green grounding screw inside of the outlet box.
- IT IS IMPERATIVE THAT THIS FIXTURE BE GROUNDED.
9. Connect the fixture Neutral wire (ribbed, no markings) with the neutral wire from the outlet box using wire nut (A).
10. Connect the fixture Hot (smooth edge,markings) wire with the hot wire from the outlet box using wire nut (A).
- DO NOT REVERSE THE HOT AND NEUTRAL CONNECTIONS OR SAFETY WILL BE COMPROMISED.
15. Tuck these wire connections neatly into the outlet box to secure.
16. Put canopy (E) to mounting plate (B), and secure with side screws (D).
17. Installation is complete, turn on power at fuse or circuit breaker.

\*\*\*Clean with a dry, soft cloth only. Use no harsh abrasives or chemical agents.

**VISUAL COMFORT & Co.** Est. 1987

