

CHC 4201

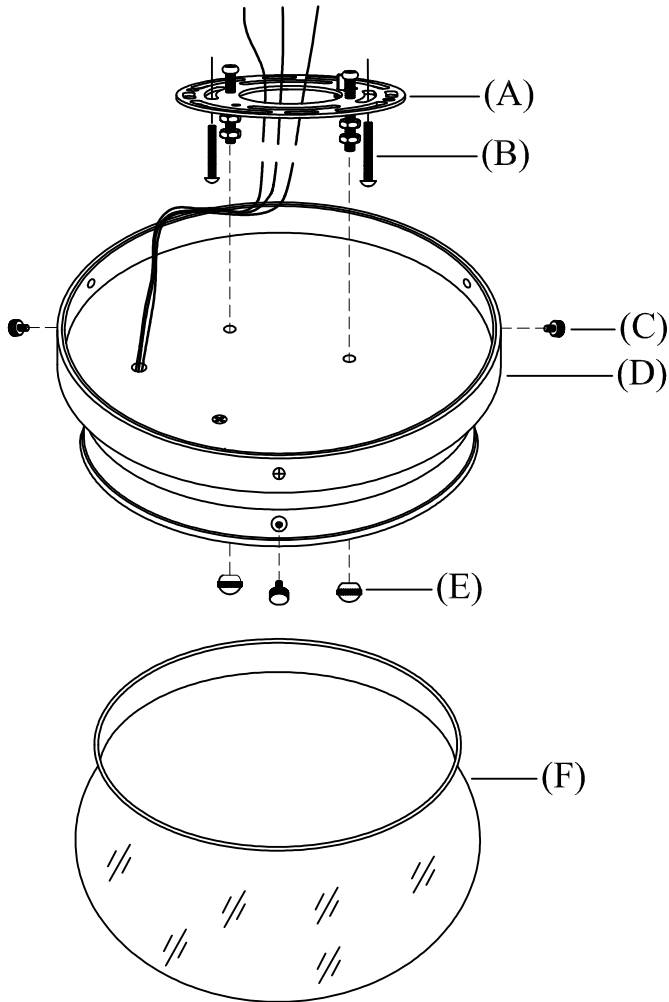
ASSEMBLY & INSTALLATION GUIDE

WE RECOMMEND INSTALLATION OF THIS LIGHTING FIXTURE BE DONE BY A LICENSED ELECTRICIAN.

WARNING * SWITCH OFF THE MAIN ELECTRICAL SUPPLY FROM THE MAIN FUSE BOX/CIRCUIT BREAKER BEFORE INSTALLATION.**

INSPECT ITEM CAREFULLY BEFORE ATTEMPTING TO INSTALL. IF THERE IS ANY DAMAGE OR OBVIOUS DEFECT, DO NOT INSTALL.

ITEM MAY NOT BE RETURNED ONCE IT HAS BEEN INSTALLED.



1. Remove mounting plate (A) from fixture base (D) by unscrewing cap nuts (E).
2. Gently pull the wires from the wall outlet and allow the wires to hang. Thread the wires through the center hole in mounting plate (A).
3. Affix mounting plate (A) to the ceiling outlet box and secure with mounting screws (B).
4. Connect ground wire from the light fixture (bare copper) to ground wire from ceiling outlet box (usually green or copper in color). Fasten together with a plastic wire connector provided and tightly wrap the wire connector with electrical tape so the end of the connector is sealed.

IT IS IMPERATIVE THAT THE OUTLET BOX IN YOUR HOME BE PROPERLY GROUNDED.

5. Connect the hot wire from the fixture (BLACK) to the hot junction box wire from ceiling outlet box (usually BLACK). Fasten together with a plastic wire connector provided and tightly wrap wire connector with electrical tape.
6. Repeat this procedure for the WHITE neutral wires from the light fixture to the wire from ceiling outlet box (usually WHITE).

DO NOT REVERSE THE HOT AND NEUTRAL CONNECTIONS OTHERWISE SAFETY WILL BE COMPROMISED.

7. Attach fixture base (D) to the mounting plate (A), letting rods on mounting plate (A) pass through the holes of fixture base (D) and screw cap nuts (E) onto the exposed rods to secure fixture base (D) to the ceiling.
8. Insert light bulb into socket.
9. Loosen thumbscrews (C), insert glass shade (F) to fixture base (D) and tighten with thumbscrews (C).

DO NOT OVER TIGHTEN, OTHERWISE IT WILL CAUSE GLASS TO BE BROKEN.