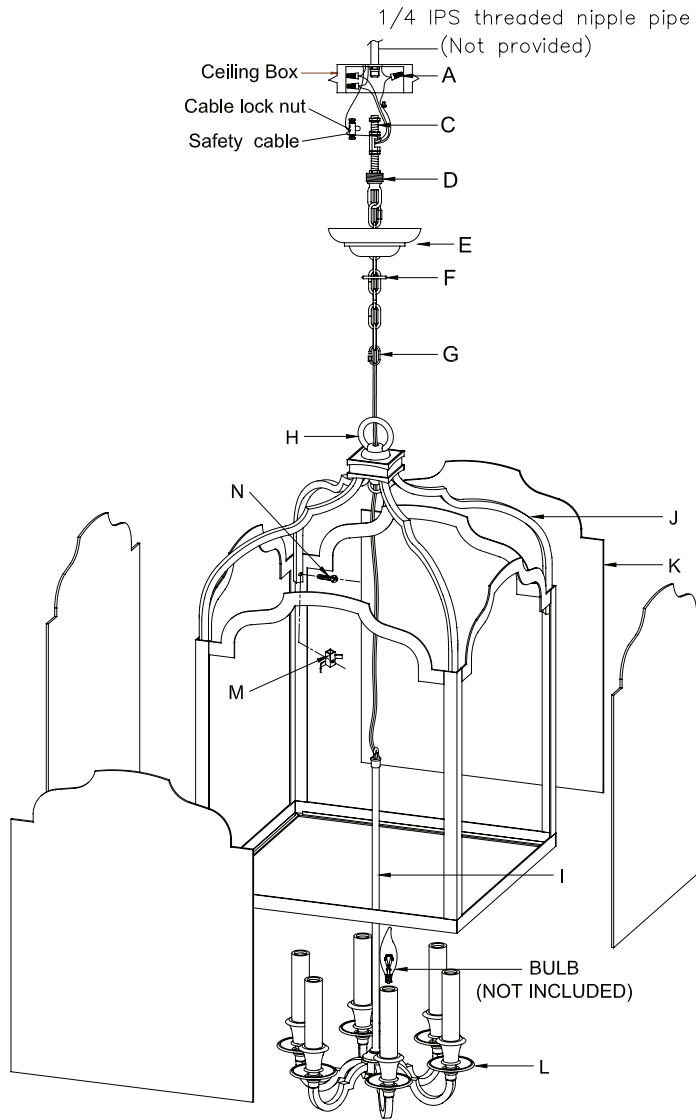


ASSEMBLY INSTRUCTIONS



Westminster Medium Lantern

Item # CHC3436

WE RECOMMEND INSTALLATION OF THIS LIGHTING FIXTURE BE DONE BY A LICENSED ELECTRICIAN.

WARNING * SWITCH OFF THE MAIN ELECTRICAL SUPPLY FROM THE MAIN FUSE BOX/CIRCUIT BREAKER BEFORE INSTALLATION.**

INSPECT ITEM CAREFULLY BEFORE ATTEMPTING TO INSTALL. IF THERE IS ANY DAMAGE OR OBVIOUS DEFECT, DO NOT INSTALL.

ITEM MAY NOT BE RETURNED ONCE IT HAS BEEN INSTALLED.

9. Connect the Ground (bare) fixture wire with the ground (usually bare) wire from your ceiling box using wire nut (A). If your house does not have a ground wire, then attach this wire to the green grounding screw inside of outlet box. IT IS IMPERATIVE THAT THIS FIXTURE BE GROUNDED.
10. Attach the glass panels (K) on to the fixture body (J), and secure with brass part (M) & screws (N).
11. Connect the Neutral (ribbed edge, no markings, or white) fixture wire with the Neutral (usually white) wire from your ceiling box using wire nut (A).
12. Connect the Hot (smooth edge, markings, or black) fixture wire with the Hot (usually black) wire from your outlet box using wire nut (A).
13. Tuck these wire connections neatly into the outlet box.
14. Thread lock collar (F) to secure canopy (E) to ceiling loop (D).
15. Install the light bulbs (not included) into sockets.

