

ASSEMBLY INSTRUCTIONS

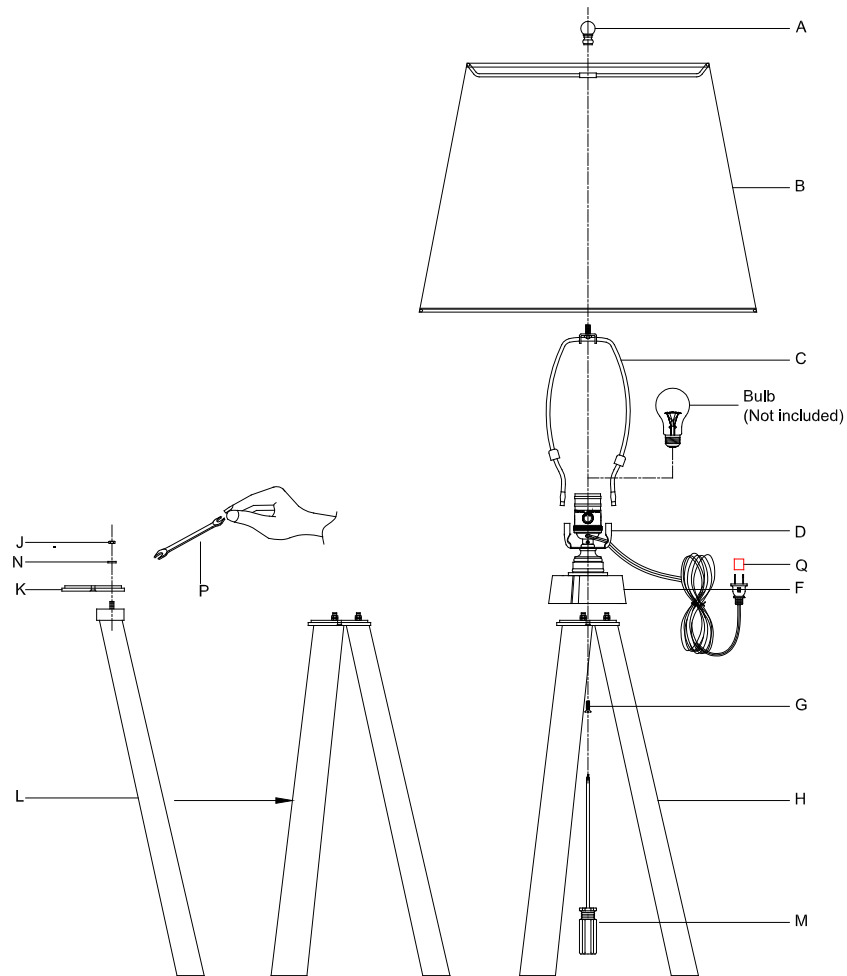
Veneto Tripod Lamp

Item # CHA 8988

INSPECT ITEM CAREFULLY BEFORE ATTEMPTING TO INSTALL. IF THERE IS ANY DAMAGE OR OBVIOUS DEFECT. DO NOT INSTALL.

ITEM MAY NOT BE RETURNED ONCE IT HAS BEEN INSTALLED.

NOTE: CAREFULLY UNPACK EACH PIECE IN TOP LAYER OF PACKING PRIOR TO REMOVING. RETAIN ALL PACKING MATERIAL UNTIL INSPECTION AND INSTALLATION ARE FINAL.



1. Carefully remove all parts from the box.
2. Attach the crystal legs (L) to the metal plate (K) and secure with plastic washer (N) and nuts (J) using wrench (P) tighten it.
3. Attached the metal cap (F) to the assembled legs (H) and secure with screws (G) using screwdriver (M).
4. Attached the harp (C) to the saddle (D).
5. Place shade (B) to the harp (C) and secure with finial (A).
6. Insert bulb (not included) into the socket.
7. Remove the plug cover (Q) from the plug.
8. Plug into a proper electrical outlet and test the fixture.
9. Installation is complete.

***Clean with a dry, soft cloth only. Use no harsh abrasives or chemical agents.



VISUAL COMFORT & Co. Est. 1987