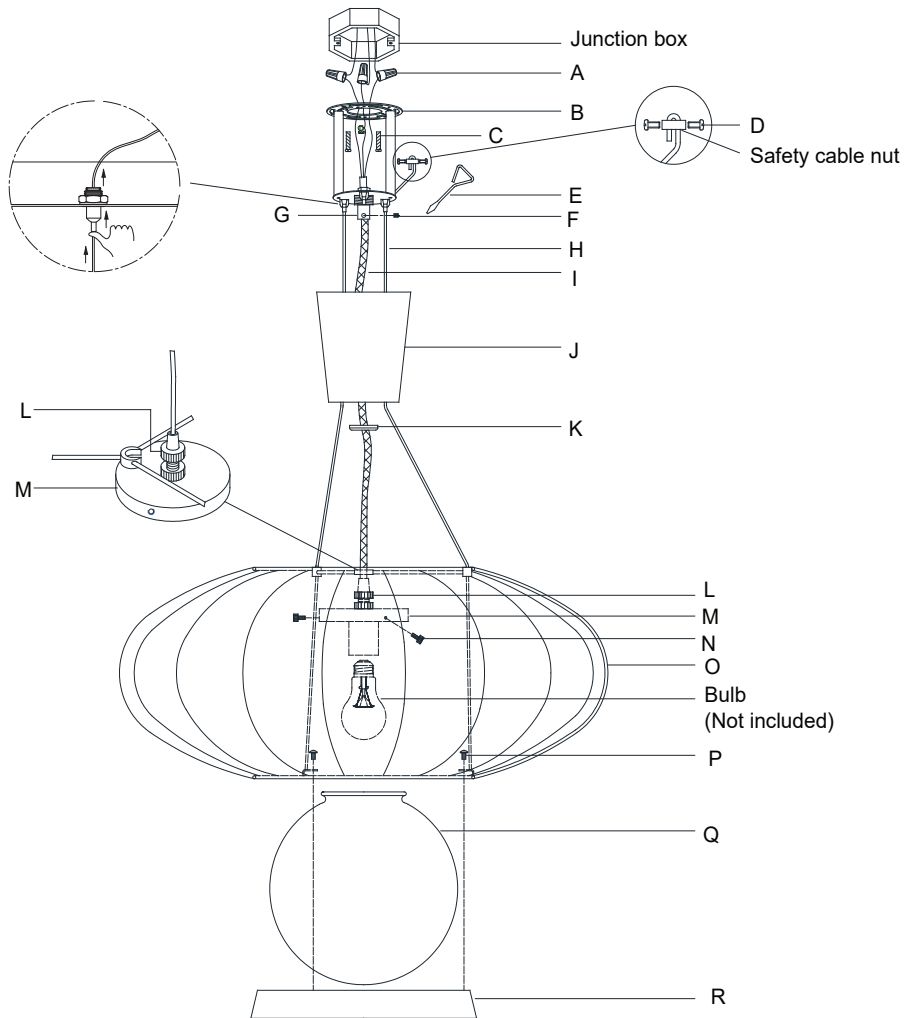


ASSEMBLY INSTRUCTIONS



Paper Moon Medium Hanging Shade

Item # BBL 5122

WE RECOMMEND INSTALLATION OF THIS LIGHTING FIXTURE BE DONE BY A LICENSED ELECTRICIAN.

WARNING*SWITCH OFF THE MAIN ELECTRICAL SUPPLY FROM THE MAIN FUSE BOX/CIRCUIT BREAKER BEFORE INSTALLATION.**

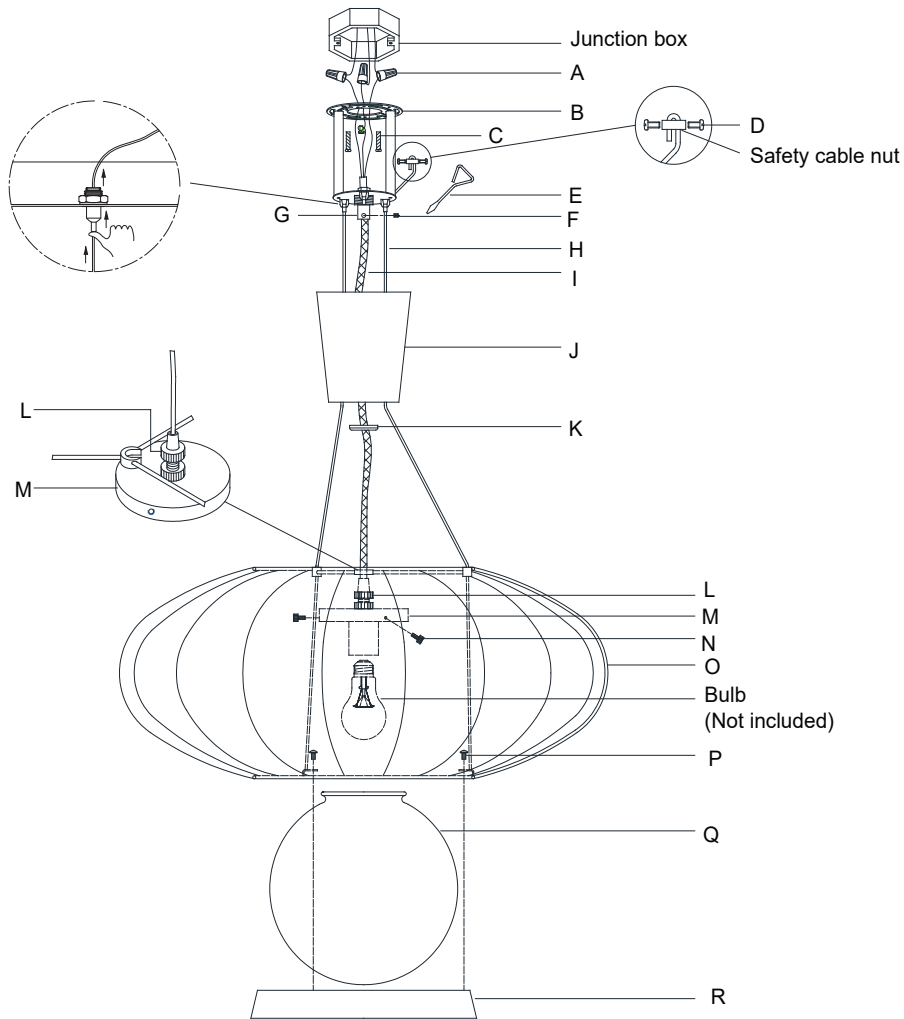
INSPECT ITEM CAREFULLY BEFORE ATTEMPTING TO INSTALL. IF THERE IS ANY DAMAGE OR OBVIOUS DEFECT. DO NOT INSTALL.

ITEM MAY NOT BE RETURNED ONCE IT HAS BEEN INSTALLED.

NOTE: CAREFULLY UNPACK EACH PIECE IN TOP LAYER OF PACKING PRIOR TO REMOVING. RETAIN ALL PACKING MATERIAL UNTIL INSPECTION AND INSTALLATION ARE FINAL.

- Carefully remove all parts from the box.
- Remove the mounting plate (B) from the canopy (J) by loosening the collar ring (K).
- Install the mounting plate (B) to the junction box and secure with the mounting screws (C) provided.
- Install the glass holder (M) to the spider of the paper shade (O) and secure with the check ring (L).
- Remove the safety cable nut from each shade cable by unscrewing the screws (D) and removing cable as shown in diagram.
- Feed the hanging cables through the holes in canopy (J), and then through the mounting plate (B) by pushing up on the cable stoppers (as shown in the diagram) while pushing cable through.
Tip: If the shade cable is difficult to push through the stopper in the mounting plate, try trimming a small piece off the end of the cable to assist.
- Adjust shade to desired height and balance by pushing up on the stoppers while adjusting cables. Once shade height is achieved, shorten the extra cable above the stopper by using a pair of cutters (not included).
- Loosen the set screw (G) by using the provided screwdriver (E). Feed the power wire through collar ring (K), canopy (J), mounting plate (B) and secure wire with set screw (G). Measure the wires then cut, be certain to leave enough length to connect to the wires in the junction box.
- Wrap the fixture ground wire to the green ground screw on the mounting plate (B) and secure, then connect to the ground wire in the junction box using the wire nut (A).
IT IS IMPERATIVE THAT THIS FIXTURE BE GROUNDED.
- Connect the fixture white wire to the neutral wire in the junction box using the wire nut (A).

ASSEMBLY INSTRUCTIONS



Paper Moon Medium Hanging Shade

Item # BBL 5122

WE RECOMMEND INSTALLATION OF THIS LIGHTING FIXTURE BE DONE BY A LICENSED ELECTRICIAN.

WARNING*SWITCH OFF THE MAIN ELECTRICAL SUPPLY FROM THE MAIN FUSE BOX/CIRCUIT BREAKER BEFORE INSTALLATION.**

INSPECT ITEM CAREFULLY BEFORE ATTEMPTING TO INSTALL. IF THERE IS ANY DAMAGE OR OBVIOUS DEFECT. DO NOT INSTALL.

ITEM MAY NOT BE RETURNED ONCE IT HAS BEEN INSTALLED.

NOTE: CAREFULLY UNPACK EACH PIECE IN TOP LAYER OF PACKING PRIOR TO REMOVING. RETAIN ALL PACKING MATERIAL UNTIL INSPECTION AND INSTALLATION ARE FINAL.

11. Connect the fixture black wire to the hot wire in the junction box using the wire nut (A). DO NOT REVERSE THE HOT AND NEUTRAL CONNECTIONS OTHERWISE SAFETY WILL BE COMPROMISED.
12. Carefully tuck the wire connections into the junction box.
13. Install the canopy (J) to the ceiling and secure with the collar ring (K).
14. Install the metal ring (R) to the bottom of the paper shade (O) and secure with the screws (P).
15. Insert bulb (not included) into the socket.
16. Install the glass shade (Q) to the glass holder (M) and secure with the thumbscrews (N).
17. Installation is complete, turn on power at fuse or circuit breaker.

***Clean with a dry, soft cloth only. Use no harsh abrasives or chemical agents.