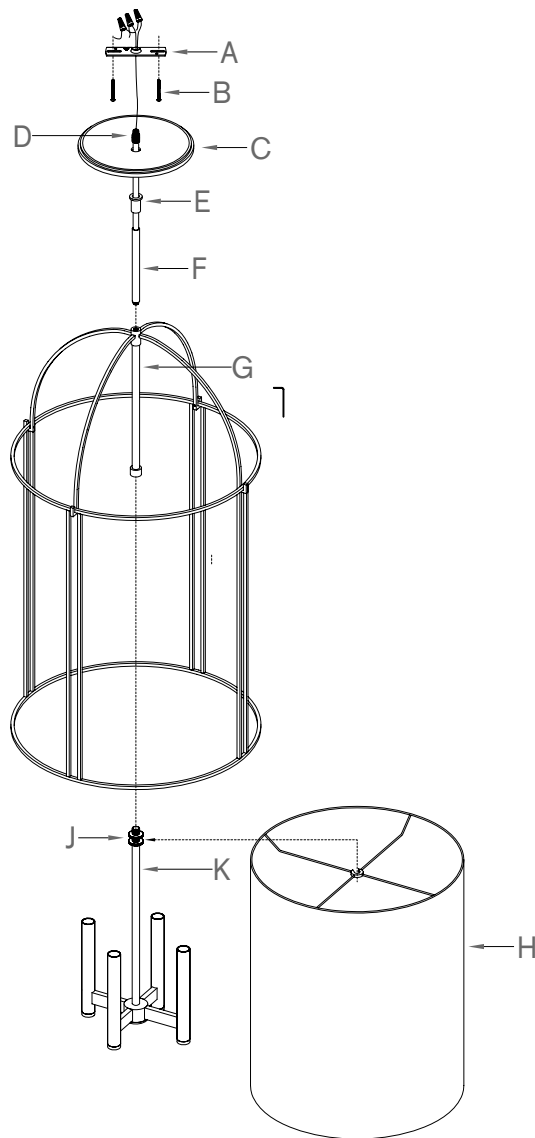


## ASSEMBLY INSTRUCTIONS



## Shirred Fabric Lantern

Item # BBL5058

**WE RECOMMEND INSTALLATION OF THIS LIGHTING FIXTURE BE DONE BY A LICENSED ELECTRICIAN.**

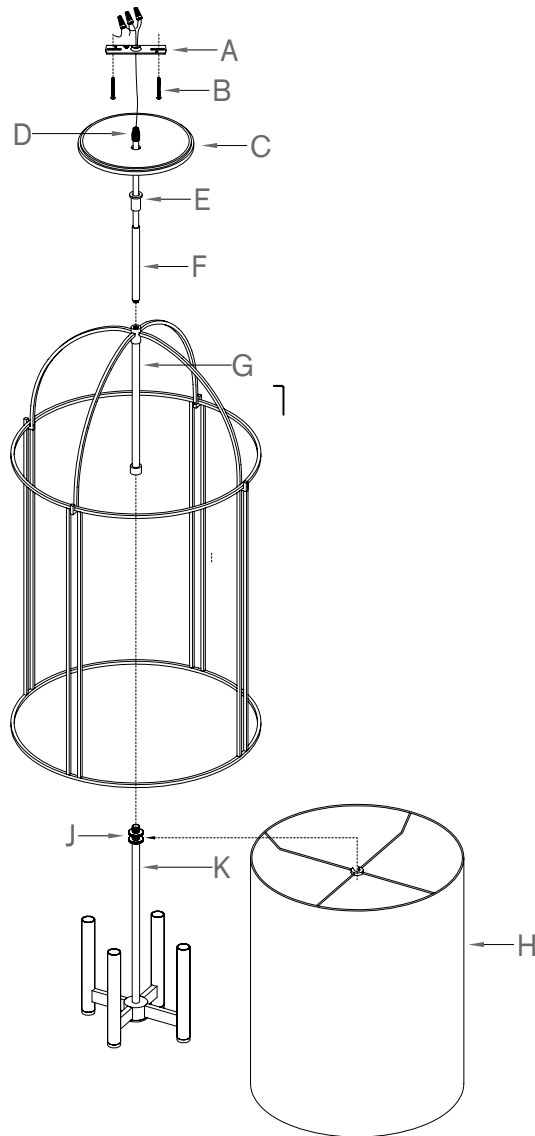
**WARNING \*\*\* SWITCH OFF THE MAIN ELECTRICAL SUPPLY FROM THE MAIN FUSE BOX/CIRCUIT BREAKER BEFORE INSTALLATION.**

**INSPECT ITEM CAREFULLY BEFORE ATTEMPTING TO INSTALL. IF THERE IS ANY DAMAGE OR OBVIOUS DEFECT, DO NOT INSTALL.**

**ITEM MAY NOT BE RETURNED ONCE IT HAS BEEN INSTALLED.**

1. Attach the shade spider (locate inside of shade (H)) to the stem of socket assembly (K) and secure by turning threaded ring (J) clockwise direction by hand until tight.
2. Feed the wires through lamp pole (G), (F) and come out from the top of pole (F).
3. Screw the socket assembly (K) with lamp shade (H) to the bottom opening of pole (G)
4. Screw the bottom nipple of pole (F) into the top opening of pole (G).
5. Unscrew canopy collar (E), slide canopy collar (E) and canopy (C) on upper section of pole (F).
6. Attach mounting strap (A) to threaded nipple on mounting loop (D) and secure by turning mounting strap (A) clockwise direction by hand until tight.
7. Attach mounting strap (A) with light fixture to ceiling outlet box and secure with mounting screws (B).
8. Attach the bare copper ground from the fixture to the ground junction box wire (usually green or copper), fasten together with a plastic wire connector. Tighten wrap the wire connector with electrical tape. Be sure no wire strands are exposed.  
IT IS IMPERATIVE THAT THE OUTLET BOX IN YOUR HOME BE PROPERLY GROUNDED.
9. Connect neutral wire from fixture (ridges molded wire) to the neutral wire from the junction box (usually white) . Fasten both wires together with a plastic wire connector and tightly wrap the wire connector with electrical tape. Be sure no wire strands are exposed.

## ASSEMBLY INSTRUCTIONS



## Shirred Fabric Lantern

Item # BBL5058

**WE RECOMMEND INSTALLATION OF THIS LIGHTING FIXTURE BE DONE BY A LICENSED ELECTRICIAN.**

**WARNING \*\*\* SWITCH OFF THE MAIN ELECTRICAL SUPPLY FROM THE MAIN FUSE BOX/CIRCUIT BREAKER BEFORE INSTALLATION.**

**INSPECT ITEM CAREFULLY BEFORE ATTEMPTING TO INSTALL. IF THERE IS ANY DAMAGE OR OBVIOUS DEFECT, DO NOT INSTALL.**

**ITEM MAY NOT BE RETURNED ONCE IT HAS BEEN INSTALLED.**

10. Connect the hot wires from the fixture (smooth wire) to the hot wire (usually black ) from the junction box. Fasten each together with a plastic wire connector and wrap the connection with electrical tape. DO NOT REVERSE THE HOT AND NEUTRAL CONNECTIONS OTHERWISE SAFETY WILL BE COMPROMISED.
11. Tuck the wire connections neatly into the ceiling outlet box.
12. Slip canopy (E) to ceiling and secure by turning canopy collar (E) in a counter clockwise direction until tight.
13. Insert light bulbs (not included) into sockets.

\*\*\* Clean with a dry, soft cloth only. Do not use harsh abrasives or chemical agents.