

# BBL2025

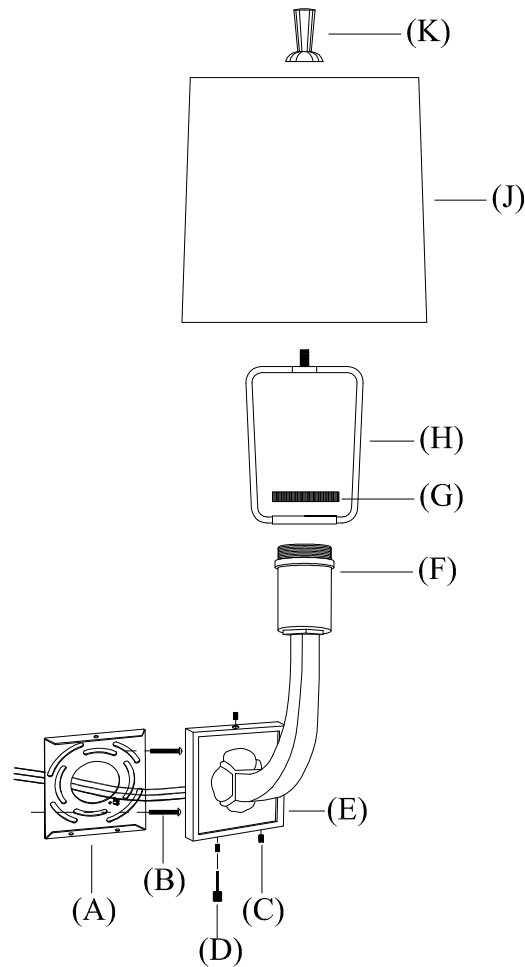
## ASSEMBLY & INSTALLATION GUIDE

**WE RECOMMEND INSTALLATION OF THIS LIGHTING FIXTURE BE DONE BY A LICENSED ELECTRICIAN.**

**WARNING \*\*\* SWITCH OFF THE MAIN ELECTRICAL SUPPLY FROM THE MAIN FUSE BOX/CIRCUIT BREAKER BEFORE INSTALLATION.**

**INSPECT ITEM CAREFULLY BEFORE ATTEMPTING TO INSTALL. IF THERE IS ANY DAMAGE OR OBVIOUS DEFECT, DO NOT INSTALL.**

**ITEM MAY NOT BE RETURNED ONCE IT HAS BEEN INSTALLED.**



1. Attach ground (green) wire to ground wire from wall outlet box (usually green or copper in color), fasten together with a plastic wire connector. Tightly wrap the wire connector with electrical tape so the end of the connector is sealed. IT IS IMPERATIVE THAT THE OUTLET BOX IN YOUR HOME BE PROPERLY GROUNDED.
2. Connect neutral (white) fixture wire coming from fixture base to neutral (usually white) outlet wire. Fasten both wires together with a plastic wire connector and tightly wrap the wire connector with electrical tape.
3. Repeat the procedure with the hot (black) wires. Always make sure that no wire strands are left outside the connectors. DO NOT REVERSE THE HOT AND NEUTRAL CONNECTIONS OR SAFETY WILL BE COMPROMISED.
4. Remove mounting plate (A) from fixture base (E) by unscrewing base screws (C) with wrench (D) provided.
5. Affix mounting plate (A) to wall outlet box with mounting screws (B) provided.
6. Attach fixture base (E) to affixed mounting plate (A), aligning the holes and secure by inserting base screws (C). Tighten with wrench (D).
7. Remove socket ring (G) from threaded socket (F). Place harp (H) over top of socket (F) and secure with socket ring (G).
8. Remove finial (K) from top nipple of harp (H), place lamp shade (J) onto the bolt attached on top of harp (H).
9. Screw finial (K) onto the bolt to secure lamp shade to harp (H).
10. Insert light bulb into socket.