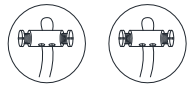
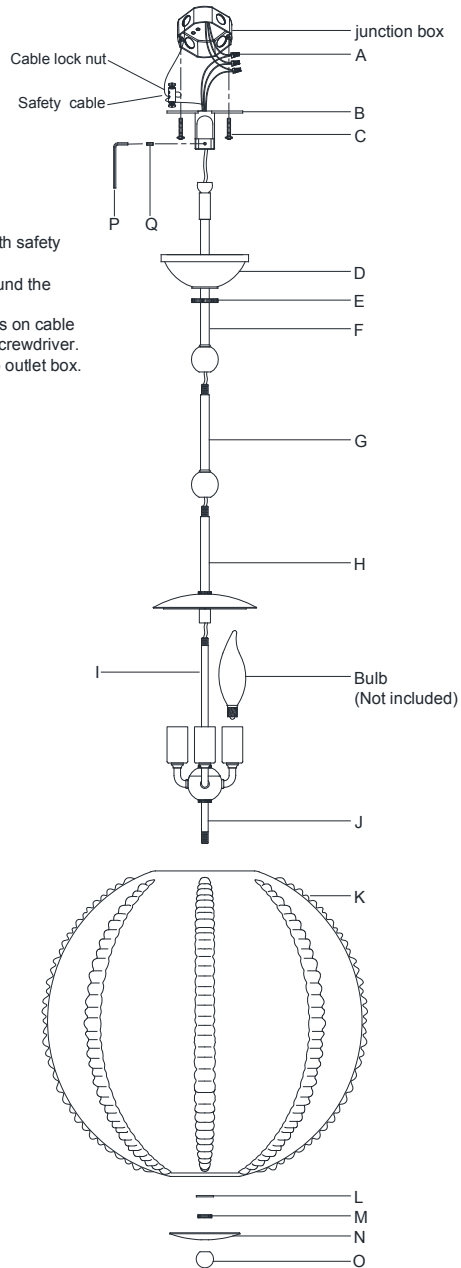


ASSEMBLY INSTRUCTIONS



TO assemble safety cables:

1. Join fixture safety cables with safety cable from ceiling.
2. Wrap both safety cable around the cable lock nut.
3. Insert screws into both holes on cable lock nut, secure screws with screwdriver.
4. Push the cable lock nut into outlet box.



Gisela Large Globe Pendant

Item # ARN 5419

WE RECOMMEND INSTALLATION OF THIS LIGHTING FIXTURE BE DONE BY A LICENSED ELECTRICIAN.

WARNING*SWITCH OFF THE MAIN ELECTRICAL SUPPLY FROM THE MAIN FUSE BOX/CIRCUIT BREAKER BEFORE INSTALLATION.**

INSPECT ITEM CAREFULLY BEFORE ATTEMPTING TO INSTALL. IF THERE IS ANY DAMAGE OR OBVIOUS DEFECT. DO NOT INSTALL.

ITEM MAY NOT BE RETURNED ONCE IT HAS BEEN INSTALLED.

NOTE: CAREFULLY UNPACK EACH PIECE IN TOP LAYER OF PACKING PRIOR TO REMOVING. RETAIN ALL PACKING MATERIAL UNTIL INSPECTION AND INSTALLATION ARE FINAL.

1. Carefully remove all parts from the box.
2. Feed the fixture wire and ground wire pass through the rod (H), then thread the rod (H) to the center socket cluster (I).
3. Feed the fixture wire and ground wire pass through the rod (G), then thread the rod (G) to the rod (H).
4. Feed the fixture wire and ground wire pass through the rod (F), collar ring (E) and canopy (D). Then thread the rod (F) to the rod (G).
5. Install the mounting plate (B) to the junction box with mounting screws (C) provided.
6. Hang the rod (F) with top end ball provided on the mounting plate (B) and secure with set screw (Q) by using the wrench (P).
7. Connect the fixture ground (bare) wire with the ground wire from the outlet box using wire nut (A). If your house does not have ground wire, then attach this wire to the green grounding screw inside of the outlet box.

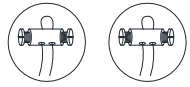
IT IS IMPERATIVE THAT THIS FIXTURE BE GROUNDED.
8. Connect the fixture Neutral wire (ribbed) with the neutral wire (usually white) from the outlet box using wire nut (A).
9. Connect the fixture Hot (smooth, with words) wire with the hot wire (usually black) from the outlet box using wire nut (A).

DO NOT REVERSE THE HOT AND NEUTRAL CONNECTIONS OR SAFETY WILL BE COMPROMISED.
10. Tuck these wire connections neatly into the outlet box.



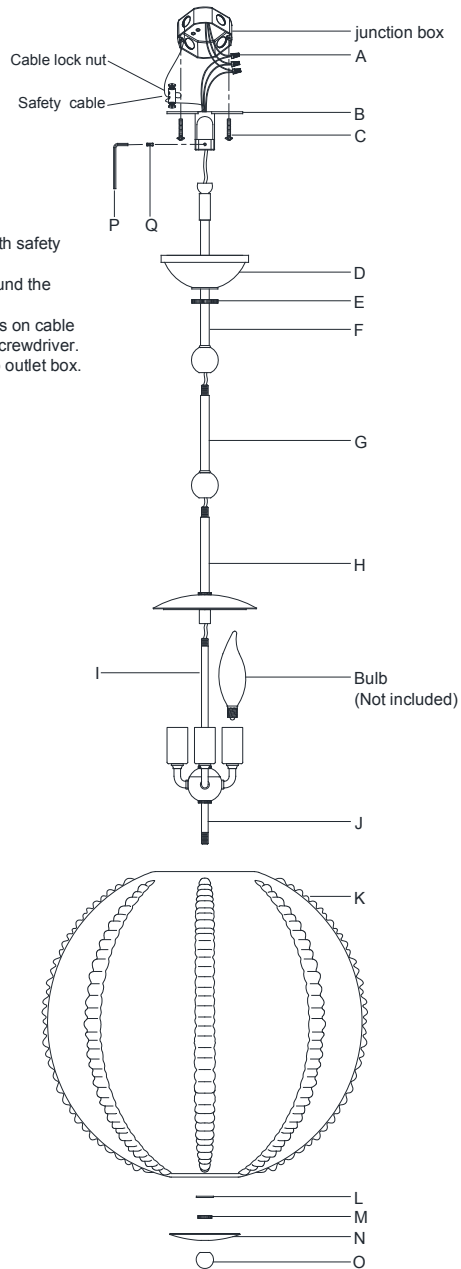
VISUAL COMFORT & Co. Est. 1987

ASSEMBLY INSTRUCTIONS



TO assemble safety cables:

1. Join fixture safety cables with safety cable from ceiling.
2. Wrap both safety cable around the cable lock nut.
3. Insert screws into both holes on cable lock nut, secure screws with screwdriver.
4. Push the cable lock nut into outlet box.



Gisela Large Globe Pendant

Item # ARN 5419

WE RECOMMEND INSTALLATION OF THIS LIGHTING FIXTURE BE DONE BY A LICENSED ELECTRICIAN.

WARNING*SWITCH OFF THE MAIN ELECTRICAL SUPPLY FROM THE MAIN FUSE BOX/CIRCUIT BREAKER BEFORE INSTALLATION.**

INSPECT ITEM CAREFULLY BEFORE ATTEMPTING TO INSTALL. IF THERE IS ANY DAMAGE OR OBVIOUS DEFECT. DO NOT INSTALL.

ITEM MAY NOT BE RETURNED ONCE IT HAS BEEN INSTALLED.

NOTE: CAREFULLY UNPACK EACH PIECE IN TOP LAYER OF PACKING PRIOR TO REMOVING. RETAIN ALL PACKING MATERIAL UNTIL INSPECTION AND INSTALLATION ARE FINAL.

11. Put canopy (D) flush to the mounting plate (B) and secure with collar ring (E).
12. Insert bulbs (not included) into the sockets.
13. Attach the glass shade (K) to the tube (J) and secure with rubber washer (L) and check ring (M).
14. Attached the metal disk (N) to the glass shade (K) and secure with finial (O).
15. Installation is complete, turn on power at fuse or circuit breaker.

***Clean with a dry, soft cloth only. Use no harsh abrasives or chemical agents.



VISUAL COMFORT & Co. Est. 1987