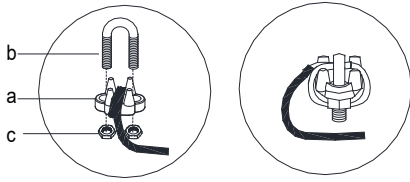
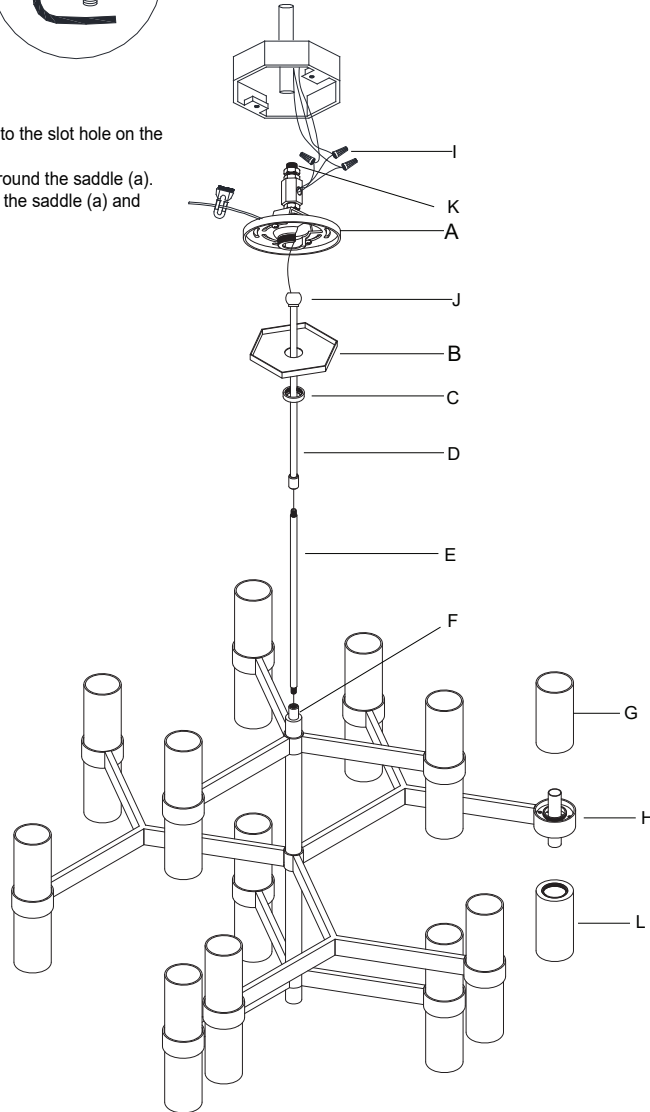


## ASSEMBLY INSTRUCTIONS



Install safety cable:

1. Wrap the safety cable into the slot hole on the mounting strap (C).
2. Wrap the safety cable around the saddle (a).
3. Insert U-bolt clip (b) into the saddle (a) and secure with the nuts (c).



## Margita Medium Chandelier

Item # ARN 5272

**WE RECOMMEND INSTALLATION OF THIS LIGHTING FIXTURE BE DONE BY A LICENSED ELECTRICIAN.**

**WARNING\*\*\*SWITCH OFF THE MAIN ELECTRICAL SUPPLY FROM THE MAIN FUSE BOX/CIRCUIT BREAKER BEFORE INSTALLATION.**

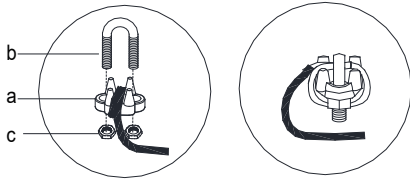
**INSPECT ITEM CAREFULLY BEFORE ATTEMPTING TO INSTALL. IF THERE IS ANY DAMAGE OR OBVIOUS DEFECT. DO NOT INSTALL.**

**ITEM MAY NOT BE RETURNED ONCE IT HAS BEEN INSTALLED.**

**NOTE: CAREFULLY UNPACK EACH PIECE IN TOP LAYER OF PACKING PRIOR TO REMOVING. RETAIN ALL PACKING MATERIAL UNTIL INSPECTION AND INSTALLATION ARE FINAL.**

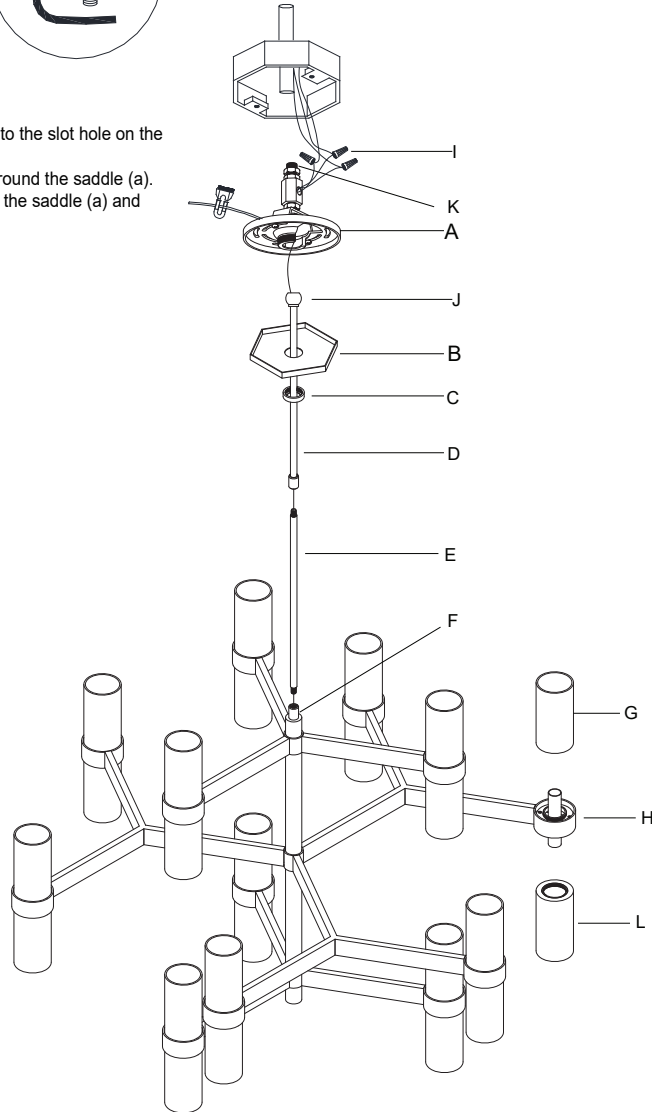
1. Carefully remove all parts from the box.
2. Remove the mounting plate (A) from the canopy (B) by unscrewing the collar ring (C).
3. A 1/4 IPS pipe must be installed through the junction box and secured to a structural member of the building. This item must hang independently of the junction box. Then install the threaded nipple (K) into the 1/4 IPS PIPE.
4. Feed the fixture wires and safety cable through the rod (E), collar ring (C), canopy (B) and rod (D).
5. Thread the rod (E) into the connector (F) and thread rod (D) to the rod (E).
6. Hang the fixture swivel ball (J) to the center of the mounting plate (A).
7. Measure the wires then cut, be certain to leave enough length to connect to the wires in the junction box.
8. Strip the insulation on the fixture wires about 5/8".
9. Twist the fixture wires together and push through the center hole of the mounting plate (A).
10. Connect the safety cable as shown in figure.
11. Wrap the fixture ground wire to the green ground screw on the mounting plate (A) and secure, then connect to the ground wire in the junction box using the wire nut (I).  
IT IS IMPERATIVE THAT THIS FIXTURE BE GROUNDED.
12. Connect the fixture ribbed wire (no marking) to the neutral wire in the junction box using the wire nut (I).
13. Connect the fixture smooth wire (with marking) to the hot wire in the junction box using the wire nut (I).  
DO NOT REVERSE THE HOT AND NEUTRAL CONNECTIONS OTHERWISE SAFETY WILL BE COMPROMISED
14. Carefully tuck the wire connections into the junction box.
15. Install the canopy (B) to the junction box and secure with the collar ring (C).

## ASSEMBLY INSTRUCTIONS



Install safety cable:

1. Wrap the safety cable into the slot hole on the mounting strap (C).
2. Wrap the safety cable around the saddle (a).
3. Insert U-bolt clip (b) into the saddle (a) and secure with the nuts (c).



## Margita Medium Chandelier

Item # ARN 5272

**WE RECOMMEND INSTALLATION OF THIS LIGHTING FIXTURE BE DONE BY A LICENSED ELECTRICIAN.**

**WARNING\*\*\*SWITCH OFF THE MAIN ELECTRICAL SUPPLY FROM THE MAIN FUSE BOX/CIRCUIT BREAKER BEFORE INSTALLATION.**

**INSPECT ITEM CAREFULLY BEFORE ATTEMPTING TO INSTALL. IF THERE IS ANY DAMAGE OR OBVIOUS DEFECT. DO NOT INSTALL.**

**ITEM MAY NOT BE RETURNED ONCE IT HAS BEEN INSTALLED.**

**NOTE: CAREFULLY UNPACK EACH PIECE IN TOP LAYER OF PACKING PRIOR TO REMOVING. RETAIN ALL PACKING MATERIAL UNTIL INSPECTION AND INSTALLATION ARE FINAL.**

16. Insert bulbs (not included) into the sockets.

17. Place the top glass shades (J) into the socket holders (K).

18. Thread the glass shades (L) to the socket holders (K).

DO NOT OVER-TIGHTEN, OTHERWISE GLASS COULD BECOME DAMAGED.

19. Installation is complete, turn on power at fuse or circuit breaker.

\*\*\*Clean with a dry, soft cloth only. Use no harsh abrasives or chemical agent

VISUAL COMFORT

