

## ASSEMBLY INSTRUCTIONS

### Niles Pendant

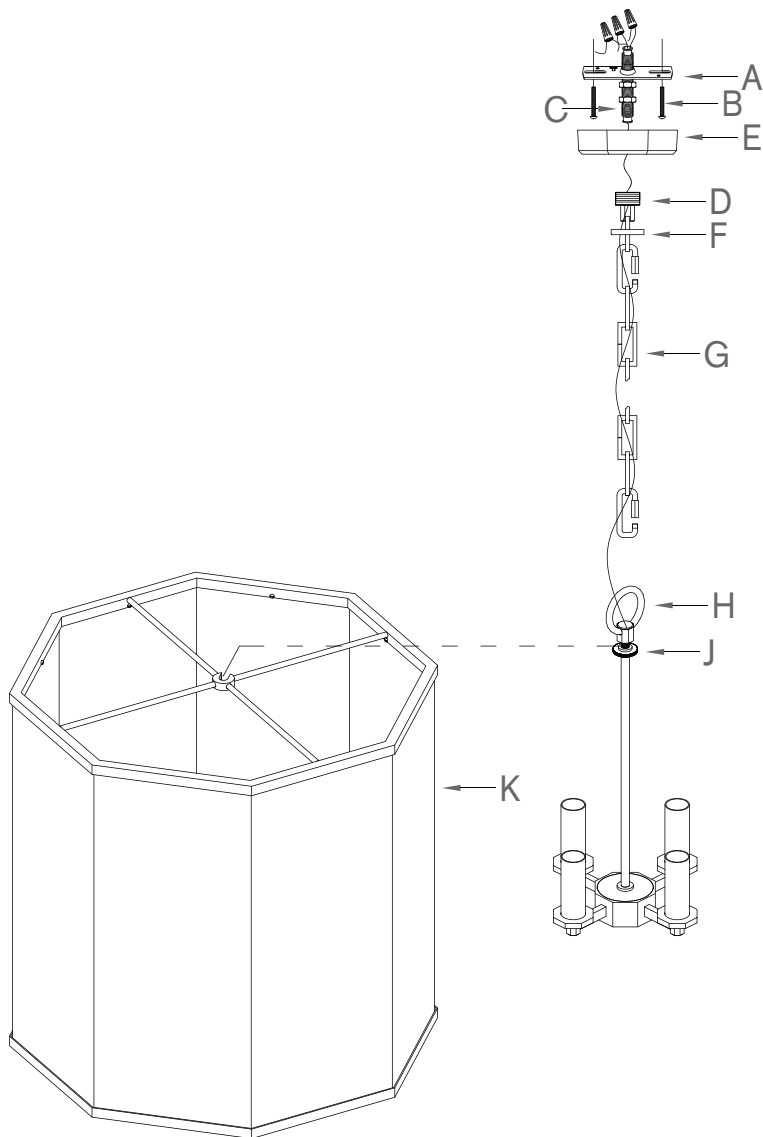
Item # ARN5213

**WE RECOMMEND INSTALLATION OF THIS LIGHTING FIXTURE BE DONE BY A LICENSED ELECTRICIAN.**

**WARNING \*\*\* SWITCH OFF THE MAIN ELECTRICAL SUPPLY FROM THE MAIN FUSE BOX/CIRCUIT BREAKER BEFORE INSTALLATION.**

**INSPECT ITEM CAREFULLY BEFORE ATTEMPTING TO INSTALL. IF THERE IS ANY DAMAGE OR OBVIOUS DEFECT, DO NOT INSTALL.**

**ITEM MAY NOT BE RETURNED ONCE IT HAS BEEN INSTALLED.**



1. Attach chain (G) to top loop (H) by opening/closing end link of chain.
2. Unscrewing canopy ring (F), slide canopy ring (F) and canopy (E) on chain (G).
3. Feed wire through chain (G), canopy (E) and mounting loop (D).
4. Attach mounting strap (A) to ceiling outlet box and secure with mounting screws (B). Insert top thread nipple (C) in mounting strap (A).
5. Attach mounting loop (D) to thread nipple (C).
6. Attach the bare copper ground from the fixture to the ground junction box wire (usually green or copper), fasten together with a plastic wire connector. Tighten wrap the wire connector with electrical tape. Be sure no wire strands are exposed.  
IT IS IMPERATIVE THAT THE OUTLET BOX IN YOUR HOME BE PROPERLY GROUNDED.
7. Connect neutral wire from fixture (ridges molded wire) to the neutral wire from the junction box (usually white). Fasten both wires together with a plastic wire connector and tightly wrap the wire connector with electrical tape. Be sure no wire strands are exposed.
8. Connect the hot wires from the fixture (smooth wire) to the hot wire (usually black) from the junction box. Fasten each together with a plastic wire connector and wrap the connection with electrical tape.  
DO NOT REVERSE THE HOT AND NEUTRAL CONNECTIONS OTHERWISE SAFETY WILL BE COMPROMISED.
9. Tuck the wire connections neatly into the ceiling outlet box.
10. Slip canopy (E) to ceiling and secure with canopy ring (F).



## ASSEMBLY INSTRUCTIONS

### Niles Pendant

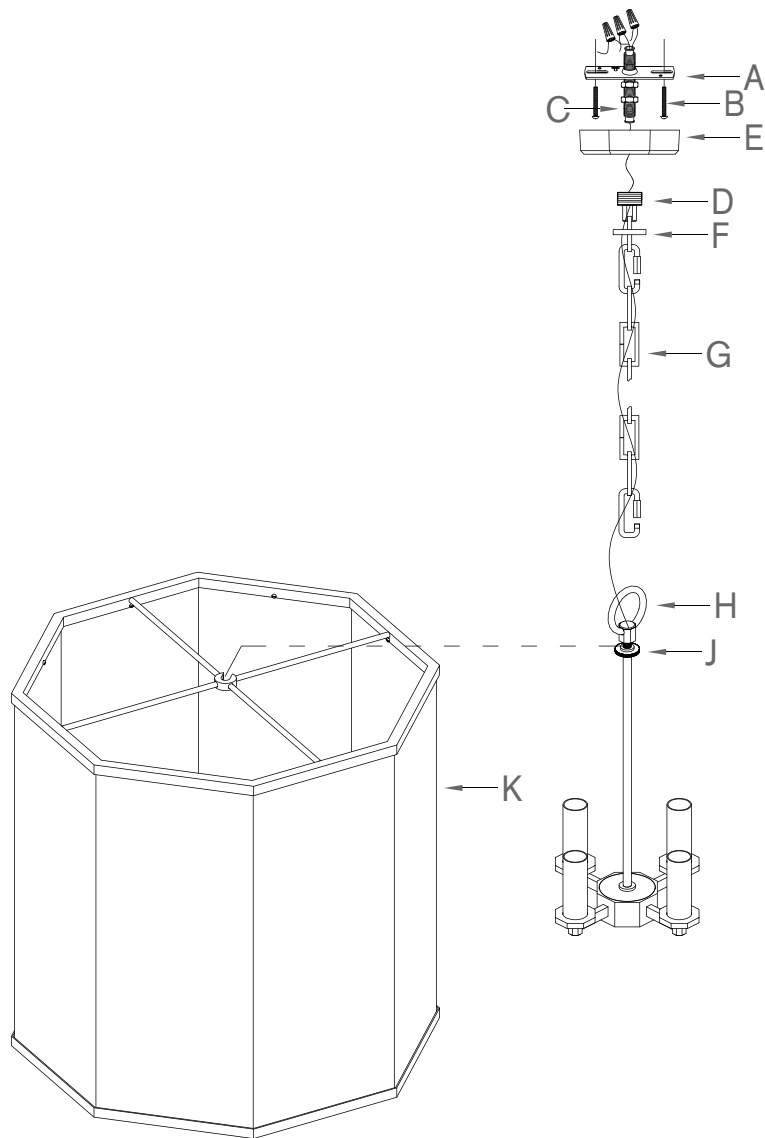
Item # ARN5213

**WE RECOMMEND INSTALLATION OF THIS LIGHTING FIXTURE BE DONE BY A LICENSED ELECTRICIAN.**

**WARNING \*\*\* SWITCH OFF THE MAIN ELECTRICAL SUPPLY FROM THE MAIN FUSE BOX/CIRCUIT BREAKER BEFORE INSTALLATION.**

**INSPECT ITEM CAREFULLY BEFORE ATTEMPTING TO INSTALL. IF THERE IS ANY DAMAGE OR OBVIOUS DEFECT, DO NOT INSTALL.**

**ITEM MAY NOT BE RETURNED ONCE IT HAS BEEN INSTALLED.**



11. Attach the shade spider (locate inside of shade (K) to the stem and secure by turning threaded ring (J) clockwise direction by hand until tight.
12. Insert light bulbs (not included) into sockets.

\*\*\* Clean with a dry, soft cloth only. Use no harsh abrasives or chemical agents.