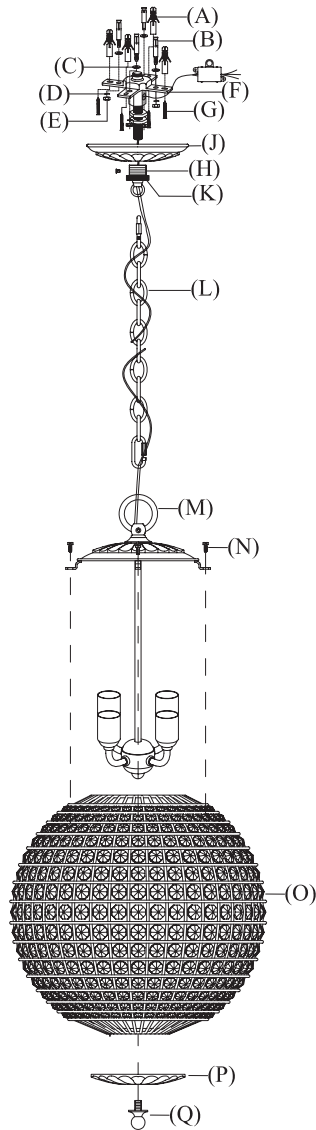


## ASSEMBLY INSTRUCTIONS



## Renwick Small Sphere Pendant

Item # ARN5100

**WE RECOMMEND INSTALLATION OF THIS LIGHTING FIXTURE BE DONE BY A LICENSED ELECTRICIAN.**

**WARNING \*\*\* SWITCH OFF THE MAIN ELECTRICAL SUPPLY FROM THE MAIN FUSE BOX/CIRCUIT BREAKER BEFORE INSTALLATION.**

**INSPECT ITEM CAREFULLY BEFORE ATTEMPTING TO INSTALL. IF THERE IS ANY DAMAGE OR OBVIOUS DEFECT, DO NOT INSTALL.**

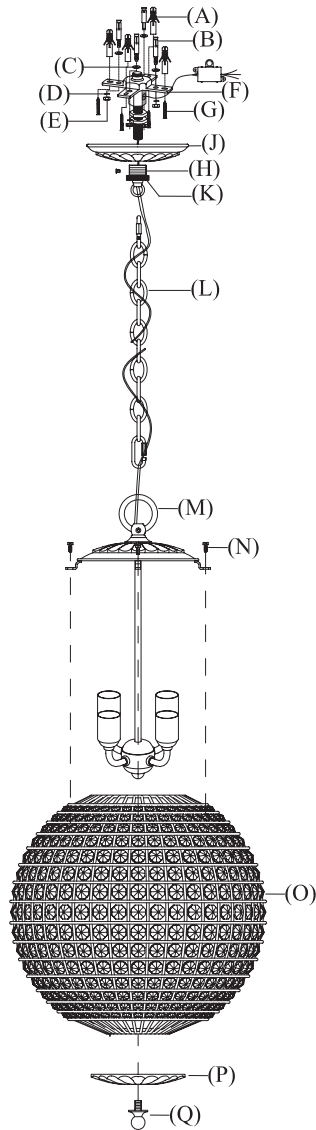
**ITEM MAY NOT BE RETURNED ONCE IT HAS BEEN INSTALLED.**

1. Insert light bulbs maximum 60 watt into the lampholders.
2. Attach globe shade (O) to (M), align the holes on shade (O) and secure with screws (N).
3. Place (P) to the bottom of shade (O), and secure with the final (Q).
4. Attach chain (L) to top loop (M) by opening/closing end link of chain.
5. Unscrewing the canopy ring (K) and slide the canopy ring (K) and canopy (J) on chain (L).
6. Place cross plate (F) to ceiling, use it as a template, mark center points for eight holes of cross plate (F) on the ceiling. Remove cross plate (F).
7. Drill small holes on the marked points, make sure four outer holes should be big enough to accommodate with plastic anchors (A) and the four inner holes should be big enough to stud anchors (B).
8. Feed wire through chain (L), canopy ring (K), canopy (J), mounting loop (H) with nipple and cross plate (F).
9. Remove flat washers (C) and spring washers (D) by unscrewing the hex nuts (E) from stud anchors (B). Push plastic anchor (A) into the outer holes and push stud anchors (B) into the inner holes, only leave threaded section of (B) outside.
10. Place cross plate (F) to ceiling, letting bottom threaded section of stud anchors (B) pass through the inner holes of cross plate (F) and secure with nuts (E).  
Note: Place flat washers (B) in between the stud anchor (B) and cross plate (F); Place spring washers (D) in between the cross plate (F) and nuts (E).



VISUAL COMFORT & Co. Est. 1987

## ASSEMBLY INSTRUCTIONS



## Renwick Small Sphere Pendant

Item # ARN5100

**WE RECOMMEND INSTALLATION OF THIS LIGHTING FIXTURE BE DONE BY A LICENSED ELECTRICIAN.**

**WARNING \*\*\* SWITCH OFF THE MAIN ELECTRICAL SUPPLY FROM THE MAIN FUSE BOX/CIRCUIT BREAKER BEFORE INSTALLATION.**

**INSPECT ITEM CAREFULLY BEFORE ATTEMPTING TO INSTALL. IF THERE IS ANY DAMAGE OR OBVIOUS DEFECT, DO NOT INSTALL.**

**ITEM MAY NOT BE RETURNED ONCE IT HAS BEEN INSTALLED.**

11. Remove nipple from mounting loop (H) by loosening set screw at side of (H). Thread nipple into the center hole of cross plate (F) in place. Using pliers, thread one of hex nut to the cross plate (F) to secure.
12. To determine the hanging length, shorter the height by removing the excess chain links.
13. Attach chain (L) with fixture to chain mounting loop (H) at desired height.
14. Loosen all set screws of terminal block, connect the fixture wires to one end of terminal block by inserting fixture wires and connect the ceiling wires to the another end of terminal block, tighten set screws to secure.  
NOTE: DO NOT REVERSE THE HOT AND NEUTRAL CONNECTIONS OTHERWISE SAFETY WILL BE COMPROMISED.
15. Close the cap of terminal block.
16. Slip canopy (J) to ceiling and secure with threaded canopy ring (K).
17. Restore power and test fixture. Installation is complete.



VISUAL COMFORT & Co. Est. 1987