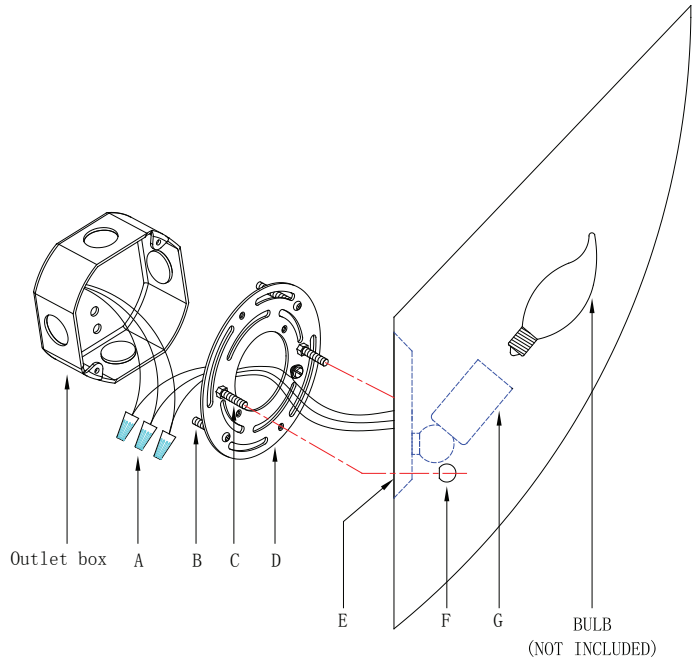


ARN2034

ASSEMBLY & INSTALLATION GUIDE



WE RECOMMEND INSTALLATION OF THIS LIGHTING FIXTURE BE DONE BY A LICENSED ELECTRICIAN.

WARNING * SWITCH OFF THE MAIN ELECTRICAL SUPPLY FROM THE MAIN FUSE BOX/CIRCUIT BREAKER BEFORE INSTALLATION.**

INSPECT ITEM CAREFULLY BEFORE ATTEMPTING TO INSTALL. IF THERE IS ANY DAMAGE OR OBVIOUS DEFECT, DO NOT INSTALL.

ITEM MAY NOT BE RETURNED ONCE IT HAS BEEN INSTALLED.

1. Remove mounting plate (D) from fixture base (E) by loosening the ball nuts (F).
2. Affix mounting plate (D) onto ceiling outlet box and secure with mounting screws (B).
3. Connect the hot wire from the fixture (BLACK) to the hot wire from the outlet box (usually BLACK). Fasten together with a plastic wire connector (A) provided and wrap connection with electrical tape.
4. Repeat this procedure for the WHITE neutral wire from the light fixture to the wire from the outlet box (usually WHITE).
5. Connect ground wire from the light fixture (GREEN or bare copper) to ground wire from the outlet box (usually green or copper in color).

DO NOT REVERSE THE HOT AND NEUTRAL CONNECTIONS OR SAFETY WILL BE COMPROMISED

6. Attach fixture base (E) to mounting plate (D), letting rods (C) on mounting plate (D) pass through the holes on fixture base (E) and secure with ball nuts (F).
7. Insert light bulbs (not included) into socket (F).
8. Installation is complete.