

ASSEMBLY INSTRUCTIONS

Lita Single Sconce

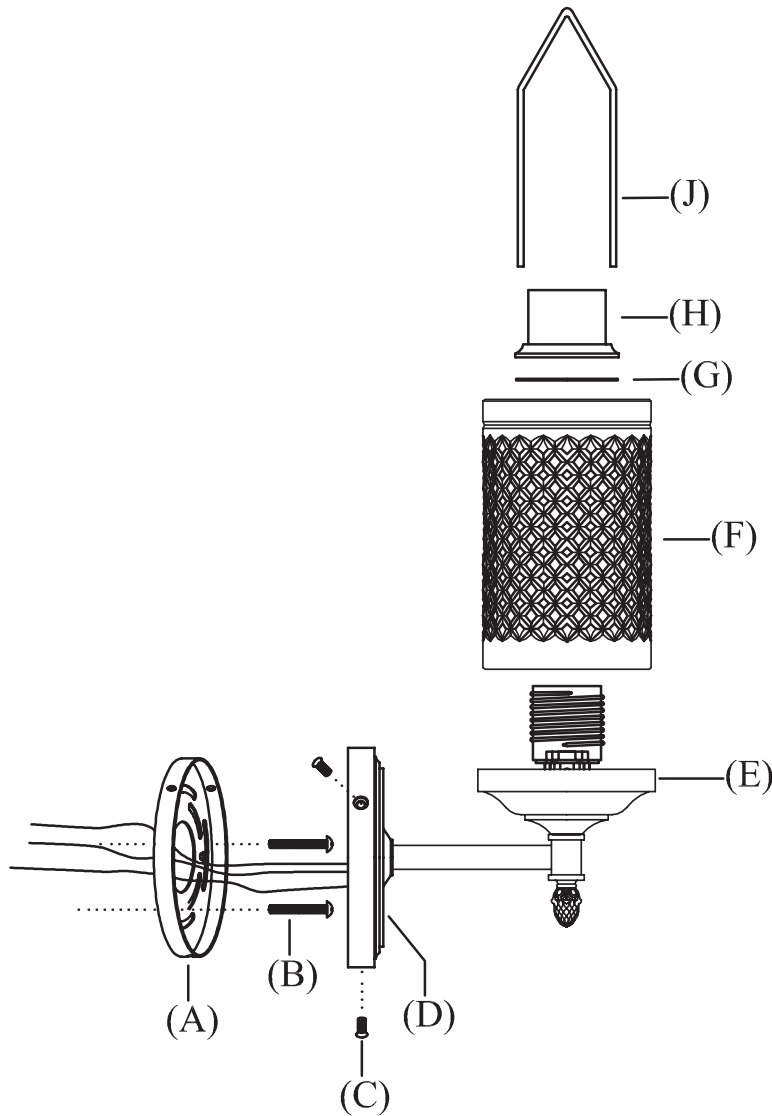
Item # AH2201

WE RECOMMEND INSTALLATION OF THIS LIGHTING FIXTURE BE DONE BY A LICENSED ELECTRICIAN.

WARNING * SWITCH OFF THE MAIN ELECTRICAL SUPPLY FROM THE MAIN FUSE BOX/CIRCUIT BREAKER BEFORE INSTALLATION.**

INSPECT ITEM CAREFULLY BEFORE ATTEMPTING TO INSTALL. IF THERE IS ANY DAMAGE OR OBVIOUS DEFECT, DO NOT INSTALL.

ITEM MAY NOT BE RETURNED ONCE IT HAS BEEN INSTALLED.



1. Attach the ground (green) wire to the ground wire from the wall outlet box (usually green or copper in color), and fasten together with a plastic wire connector. Tightly wrap the wire connector with electrical tape so the end of the connector is sealed.
IT IS IMPERATIVE THAT THE OUTLET BOX IN YOUR HOME BE PROPERLY GROUNDED.
2. Connect the neutral (white) fixture wire coming from the lamp fixture base to the neutral (usually white) outlet wire. Fasten both wires together with a plastic wire connector and tightly wrap the wire connector with electrical tape.
3. Repeat the procedure with the hot (black) wires. Always make sure that no wire strands are left outside the connectors.
DO NOT REVERSE THE HOT AND NEUTRAL CONNECTIONS OTHERWISE SAFETY WILL BE COMPROMISED.
4. Remove the mounting plate (A) from fixture base (D) by removing the base screws (C).
5. Affix the mounting plate (A) to wall outlet box and secure with mounting screws (B).
6. Gently push fixture base (D) to affixed mounting plate (A) and secure with base screws (C).
7. Insert light bulb into socket.
8. Attach glass shade (F) to shade holder (E), and follow with washer (G) secure with socket collar (H) using wrench (J) provided.