

Crossroads Wall

700WSCRS_ 1.0



WALL COLLECTION

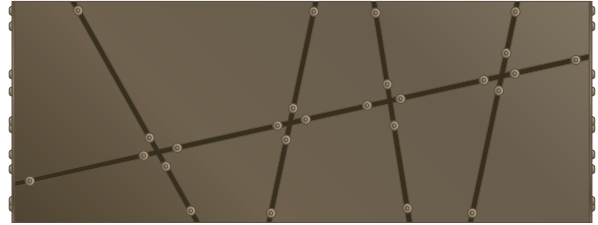
GENERAL PRODUCT INFORMATION:

This product is suitable for damp locations.

This product can mount either to a 4" square electrical box with a round plaster ring or an octagon electrical box.

This product can be dimmed with a standard incandescent dimmer.

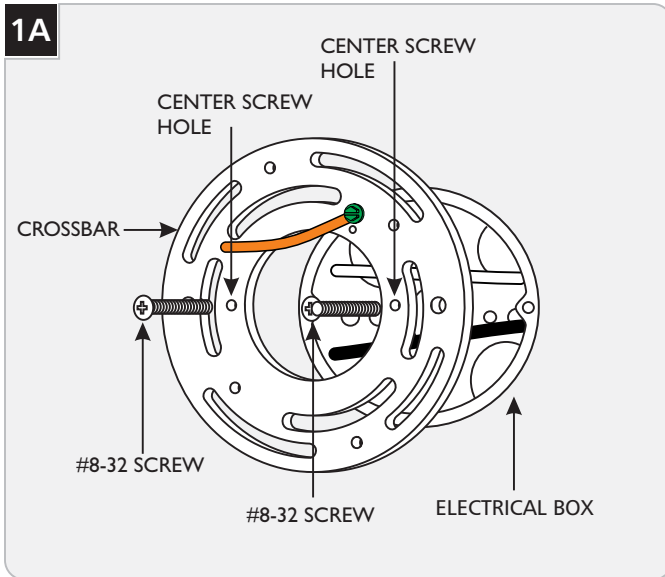
This instruction shows a typical installation.



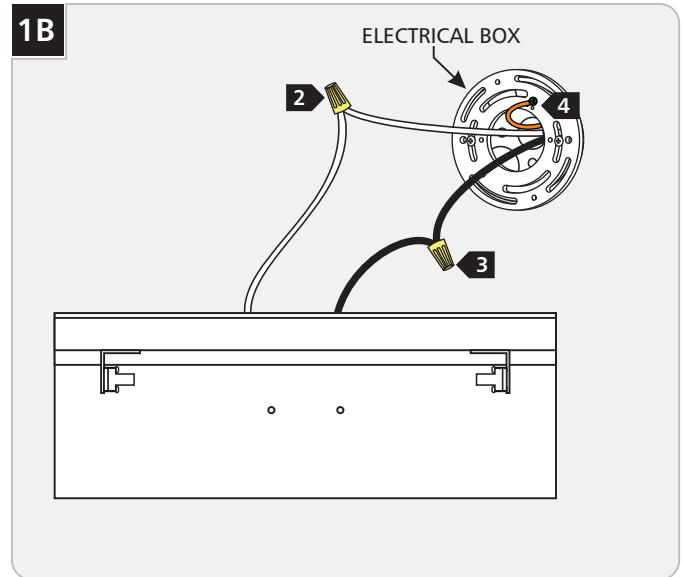
CAUTION—RISK OF FIRE

This product requires installation by a qualified electrician. Before installing be sure to read all instructions and DISCONNECT POWER TO THE ELECTRICAL BOX.

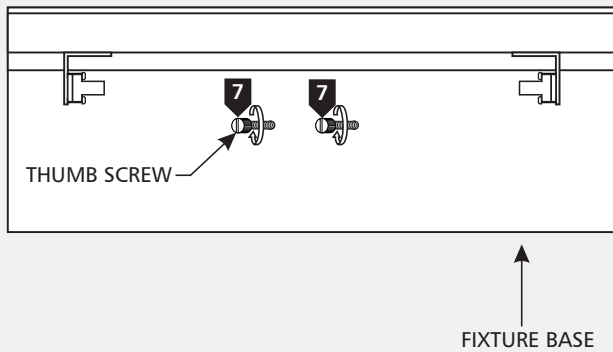
Install the Fixture



- 1 Align the two center screw holes horizontally and mount the crossbar to the electrical box with the two #8-32 screws provided.

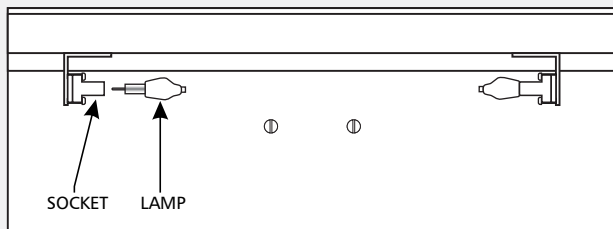



- 2 Connect the white fixture wire to the neutral power line wire with a wire nut.
- 3 Connect the black fixture wire to the hot power line wire with a wire nut.
- 4 Connect the ground wire to a suitable ground according to local electrical codes.

1C

- 5 Properly place all the wire and wire nut connections into the electrical box.
- 6 Line up the holes of the fixture base to the mounting plate.
- 7 Mount the fixture base to the wall by securing it tightly to the mounting plate with the thumb screws.

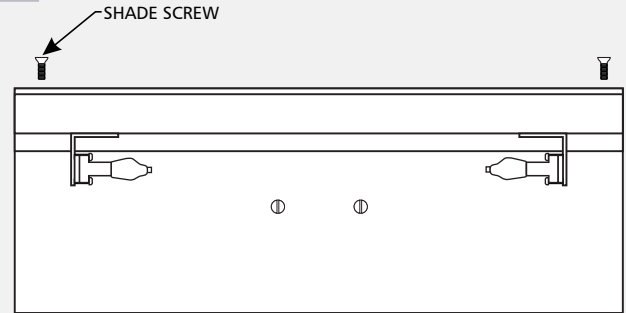
Install Lamps and Shade

2A

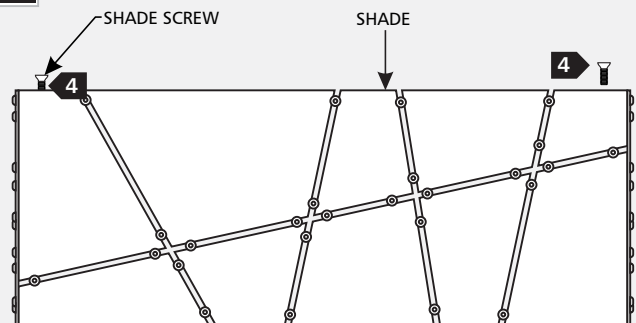
Use **MAX 120 Volt, 60 Watt** type T4, G9 base bi-pin halogen lamp in each socket. 

NOTE: Use only your fingers and a soft cloth to replace the lamp.

- 1 With a soft cloth, push the new lamp firmly all the way into the socket.

2B

- 2 Unscrew and remove the two shade screws located on top of the fixture base.

2C

- 3 Place the shade onto the fixture base and align the shade screw holes in each.
- 4 Secure the shade by reinstalling and tightening the two shade screws.

SAVE THESE INSTRUCTIONS!



TECH LIGHTING®

7400 Linder Ave, Skokie, IL 60077

847.410.4400

www.techlighting.com

© 2013 Tech Lighting, L.L.C. All rights reserved. The "Tech Lighting" graphic is a registered trademark of Tech Lighting, L.L.C. Tech Lighting reserves the right to change specifications for product improvements without notification.
A Generation Brands Company