

Installation Instructions for Matan Pendant

920TDMATAN

700TDMTN_

1.0



GENERAL PRODUCT INFORMATION:

These fixtures are intended to be installed utilizing NEC compliant junction boxes.

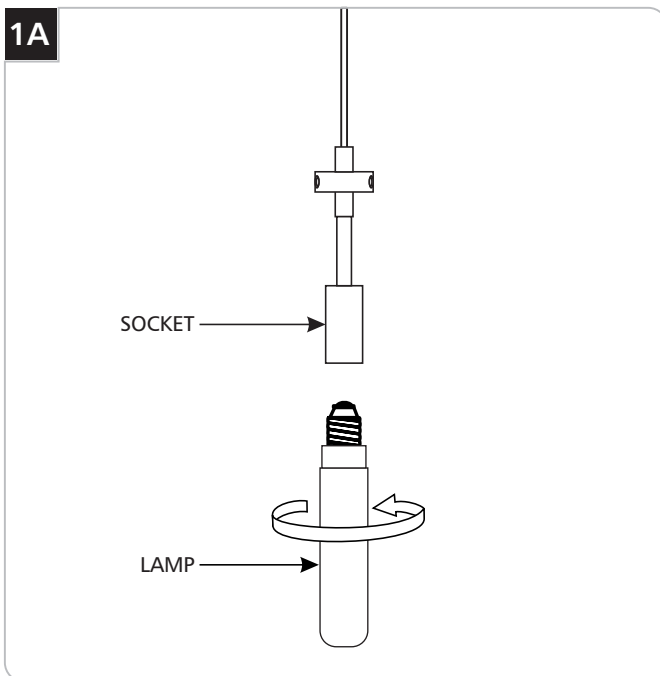
This product is suitable for damp locations.

This product can be dimmed with a LED or TRIAC dimmer. Consult lamp manufacturer for additional information.

This instruction shows a typical installation.



Install the Lamp

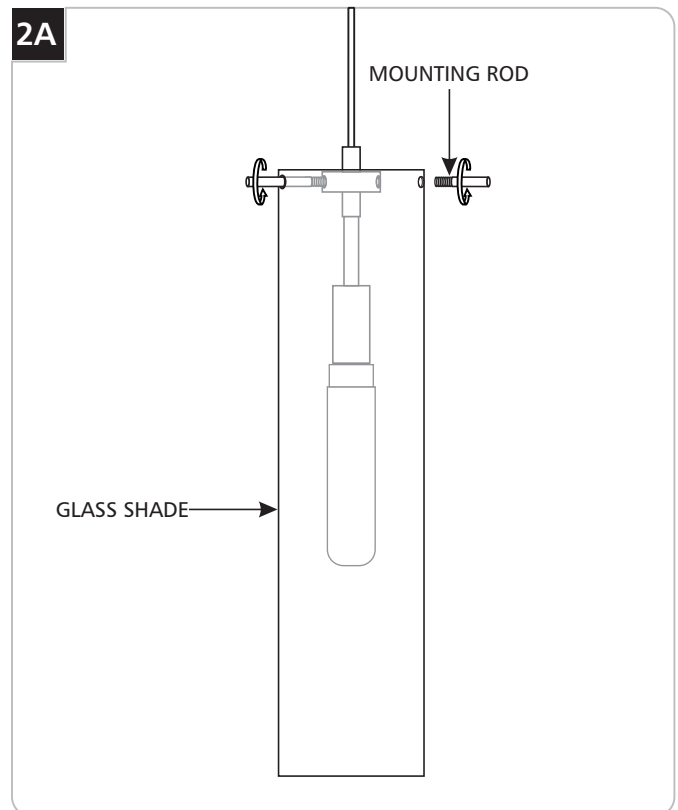


CAUTION: To reduce the risk of a burn or electric shock during relamping, disconnect the power to the fixture.

Refer to fixture marking for lamp information

- 1 Screw the lamp into the socket.

Install the Glass



- 1 Place the hardware inside the glass shade and install the three mounting rods by screwing them in completely.

SAVE THESE INSTRUCTIONS!



TECH LIGHTING®

7400 Linder Ave, Skokie, IL 60077

847.410.4400

www.techlighting.com

© 2017 Tech Lighting, L.L.C. All rights reserved. The "Tech Lighting" graphic is a registered trademark of Tech Lighting, L.L.C. Tech Lighting reserves the right to change specifications for product improvements without notification.

A Generation Brands Company