

Echo Sconce

700TDECS_ 2.2



SCONCES

GENERAL PRODUCT INFORMATION:



This product can mount to either a 4" square electrical box with round plaster ring or an octagon electrical box.

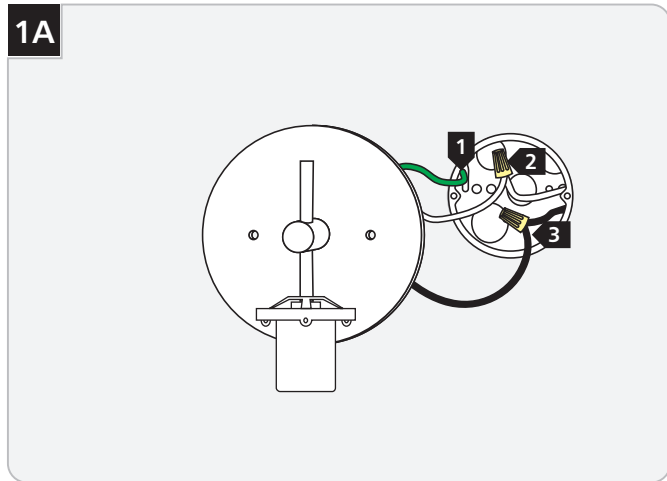
This product is suitable for damp locations.

This product can be dimmed with a standard incandescent dimmer.



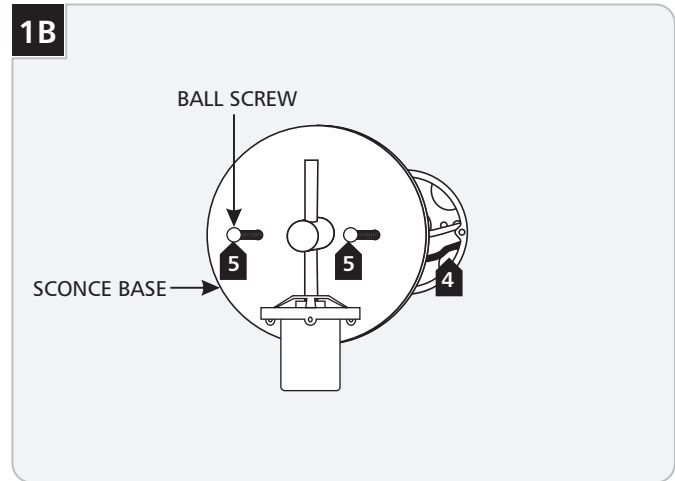
CAUTION — RISK OF FIRE
 This product requires installation by a qualified electrician. Before installing be sure to read all instructions and **TURN THE POWER TO THE ELECTRICAL BOX OFF.**

Mount the Sconce to the Electrical Box



NOTE: Use the provided universal round crossbar when the sconce base holes do not line up with the electrical box holes.

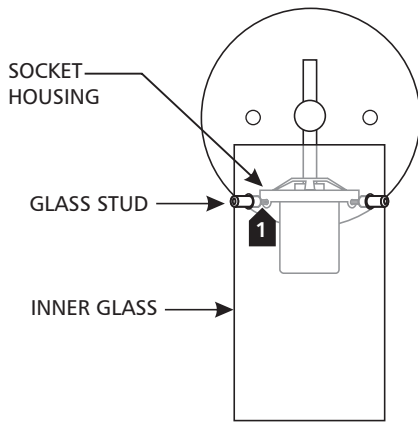
- 1** Ground the fixture to the electrical box in accordance with local electrical codes.
- 2** Connect the white wire to the neutral 120 volt power line wire with a wire nut.
- 3** Connect the black wire to the hot 120 volt power line wire with a wire nut.



- 4** Place all wire nut connections properly inside the electrical box.
- 5** Line the sconce base holes with the electrical box holes. Secure the sconce base to the electrical box with provided two ball screws.

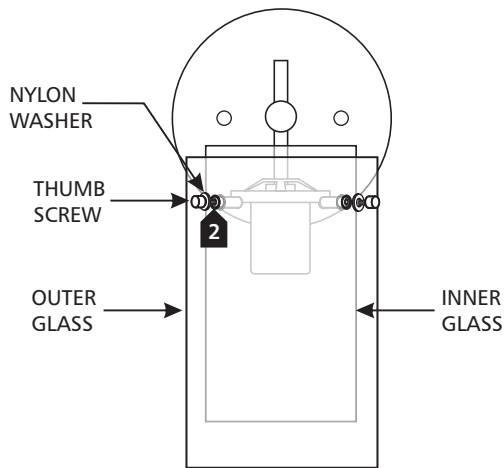
Install the Glass Shades and Lamp

2A



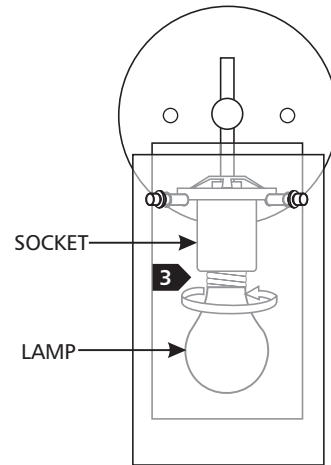
- 1 Line up the inner glass holes with the socket housing holes. Tighten the three glass studs completely (through inner glass holes) into the socket housing holes.

2B



- 2 Line up the outer glass holes with the inner glass studs. Secure the outer glass to inner glass with provided three thumb screws and nylon washers.

2C



CAUTION: To reduce the risk of a burn or electric shock during relamping, disconnect the power to the fixture by turning the wall switch off.

Use **MAX** 120 Volt, **75** Watt A19 Medium Base Lamp.



- 3 Screw the lamp into the socket.

SAVE THESE INSTRUCTIONS!

2thousanddegrees™
degrees

7400 Linder Ave, Skokie, IL 60077
847.410.4400

www.2thousanddegrees.com

© 2008 Tech Lighting, L.L.C. All rights reserved. The "2thousand degrees" graphic is a registered trademark of 2thousand degrees. 2thousand degrees reserves the right to change specifications for product improvements without notification.

A Generation Brands Company