



CHANDELIERS

GENERAL PRODUCT INFORMATION:



This product is suitable for indoor dry locations only.

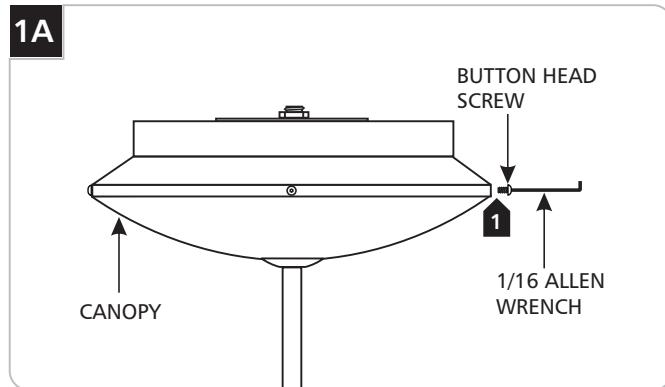
This product is dimmable with a low voltage electronic dimmer.



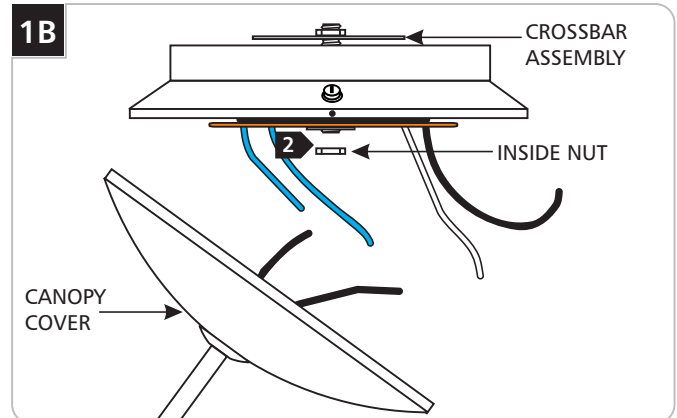
Install the Chandelier Backplate

CAUTION — RISK OF FIRE

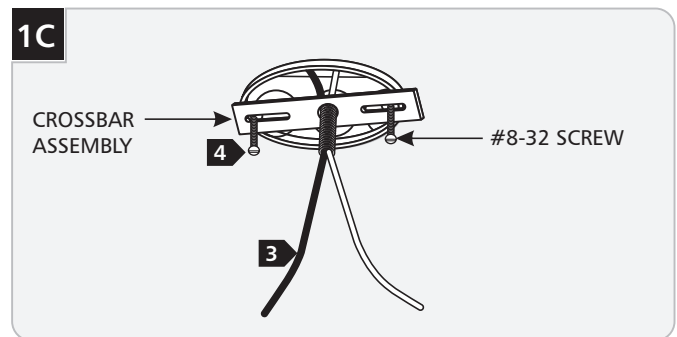
This product requires installation by a qualified electrician. Before installing be sure to read all instructions and **TURN THE POWER TO THE ELECTRICAL BOX OFF.**



- 1 Remove the four button head screws around the chandelier canopy with provided 1/16 Allen wrench.

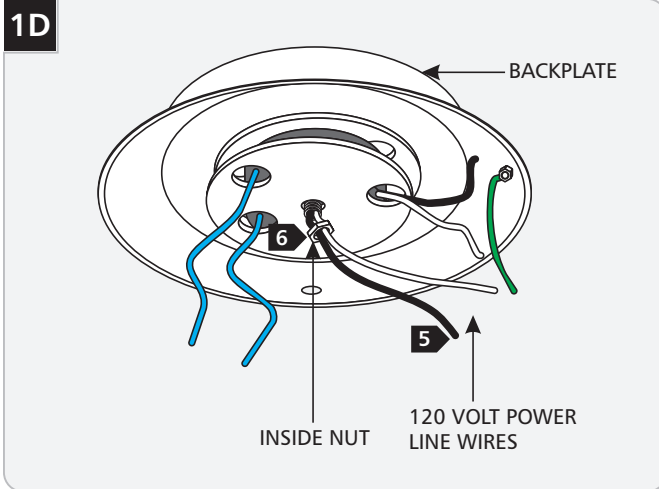


- 2 Unscrew the inside nut to remove the crossbar assembly. *Do not disassemble the nipple from the crossbar.*

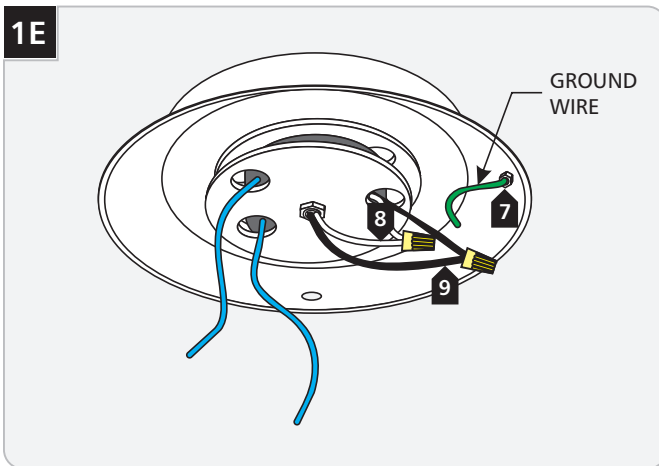


- 3 Feed the 120 volt power line wires through the nipple attached to the crossbar.
- 4 Mount the crossbar assembly to the electrical box with the two #8-32 screws.

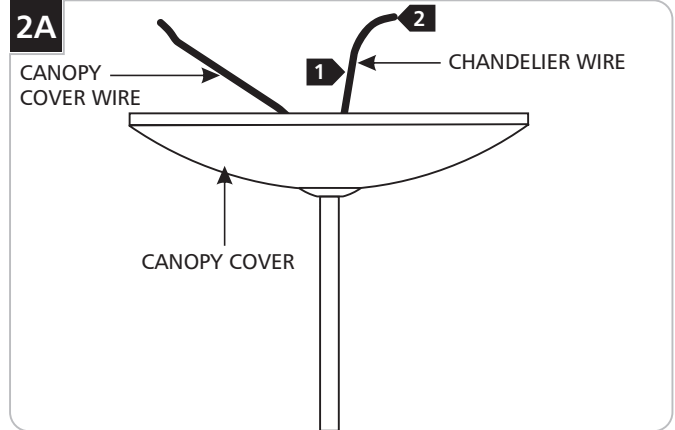
Mounting the Chandelier



- 5 Feed the 120 volt power line wires through the backplate center hole.
- 6 Slide the backplate all the way onto the threaded nipple (attached to the crossbar) and secure it with the inside nut.

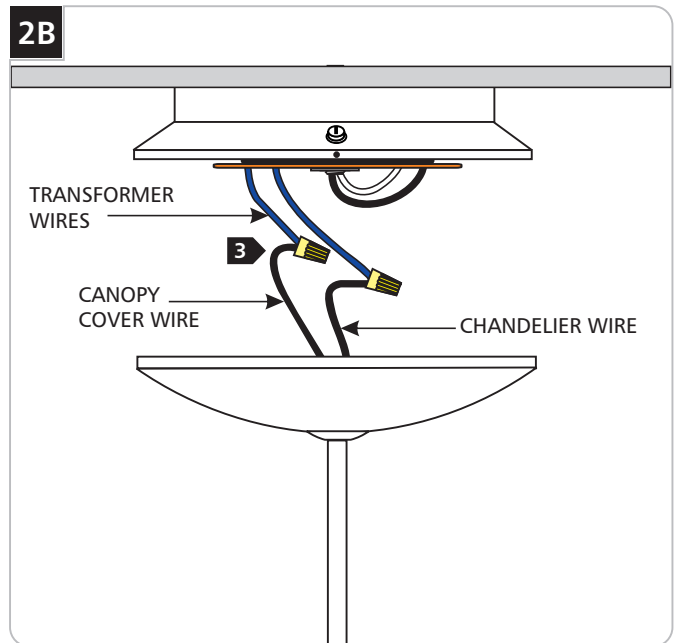


- 7 Connect the fixture ground wire in accordance with local electrical codes.
- 8 Connect the white transformer wire to the neutral power line wire with a wire nut.
- 9 Connect the black transformer wire to the hot power line wire with a wire nut.
- 10 If extending the chandelier, follow the instructions provided with the chandelier extension kit.



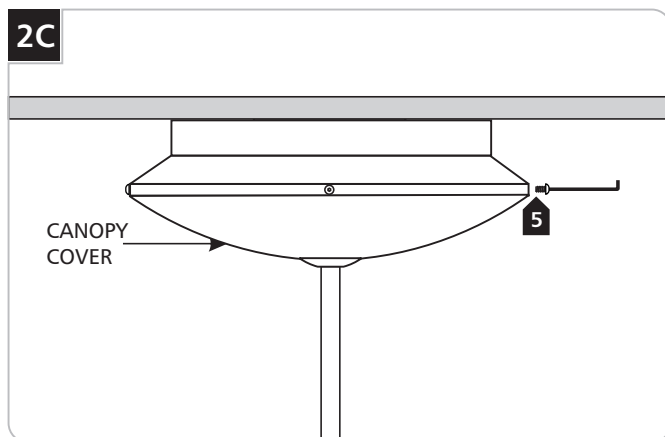
- 1 Shorten the chandelier wire to the canopy cover wire length with a sharp cutter.
- 2 Strip the chandelier wire end.

NOTE: It is recommended that one person hold the chandelier while the electrician connects the power and installs the canopy cover.



- 3 Connect the canopy cover wire to one 12 volt transformer wire and the chandelier wire to the other 12 volt transformer wire with wire nuts.

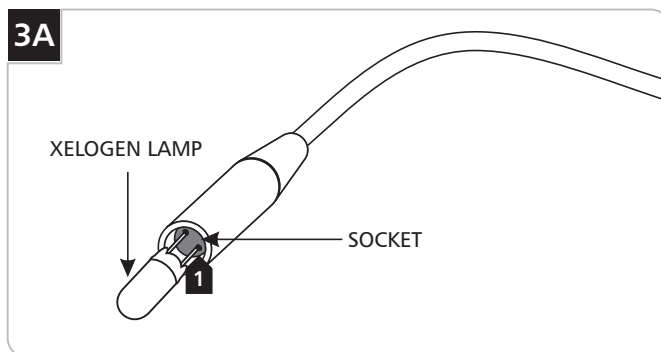
2C



- 4 Place all wires into the canopy cover and line up the canopy cover holes with the backplate holes.
- 5 Replace and tighten all four button head screws with the 1/16 Allen wrench.

Installing the lamp

3A



NOTE: Use only your fingers and a soft cloth to replace the lamp.

Use **MAX** 12 Volt, 10 Watt Xenon (Xelogen) bi-pin lamp.



- 1 Push the lamp pins all the way into the socket.

SAVE THESE INSTRUCTIONS!



7400 Linder Ave, Skokie, IL 60077

847.410.4400

www.techlighting.com

© 2008 Tech Lighting, L.L.C. All rights reserved. The "Tech Lighting" graphic is a registered trademark of Tech Lighting, L.L.C. Tech Lighting reserves the right to change specifications for product improvements without notification.

A Generation Brands Company