

Patrona Suspension

700PTNA_ 1.1



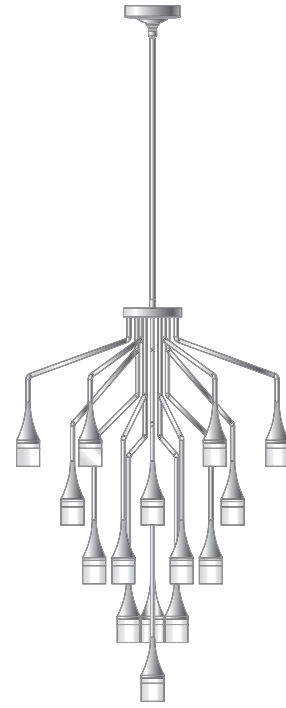
GENERAL PRODUCT INFORMATION:

This product can mount to either a 4" square electrical box with a round plaster ring or an octagon electrical box.

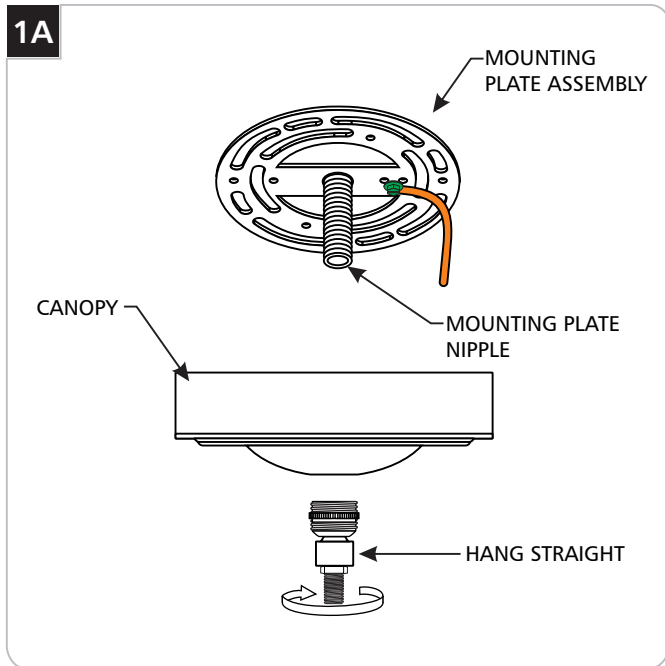
This product is suitable for damp locations.

This instruction shows a typical installation.

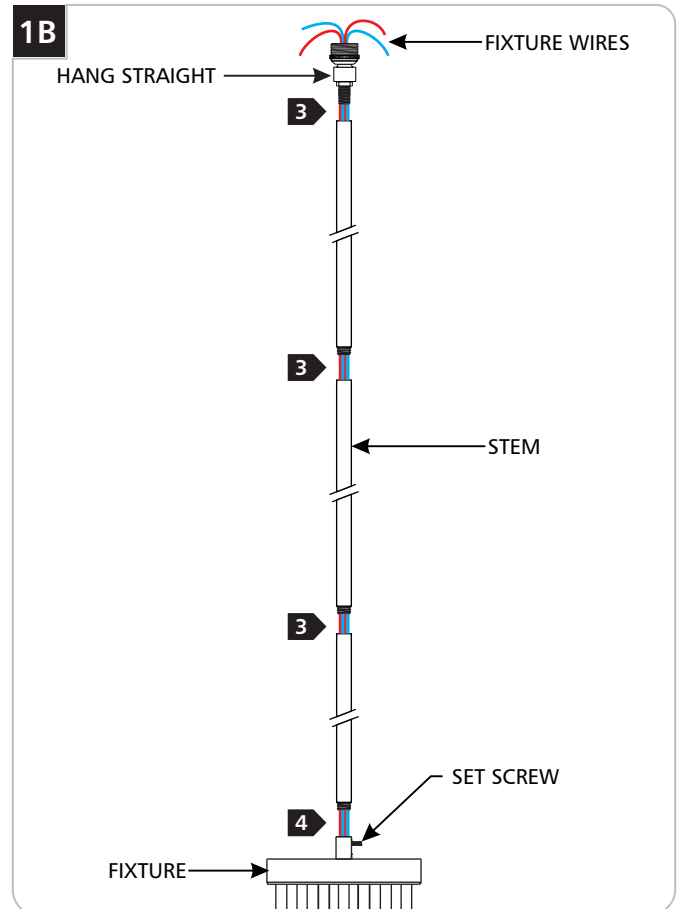
NOTE: It is recommended that the fixture remain in the shipping box until it is fully assembled and ready to install to the electrical box.



Assemble the Fixture

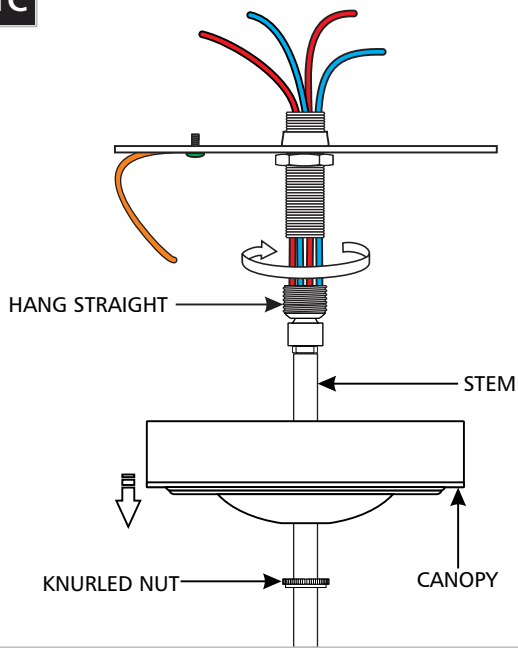


1 Separate the mounting plate assembly from the canopy by unscrewing the hang straight from the mounting plate nipple.



- 2** Loosen the set screw at the top of the fixture.
- 3** Feed the fixture wires through the stems and hang straight and assemble them by screwing them together.
- 4** Screw the stem assembly to the fixture and re-tighten the set screw.

1C

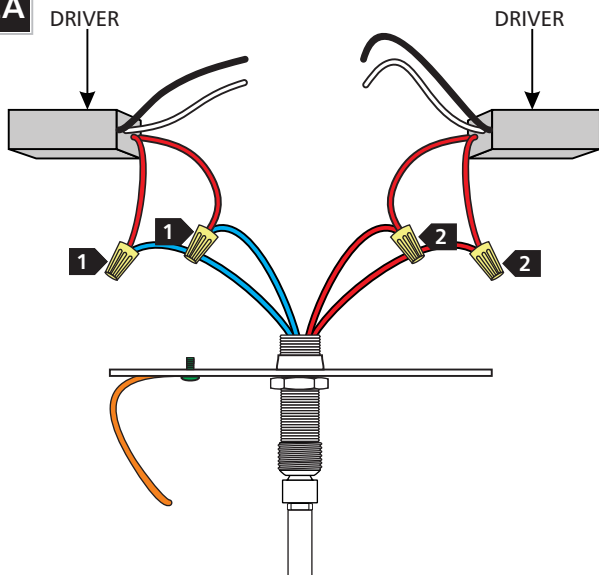


- 5 Unscrew the knurled nut from the hang straight and slide the knurled nut and canopy down the stem.
- 6 Feed the fixture wires through the mounting plate nipple and screw it onto the hang straight.

Install the Fixture

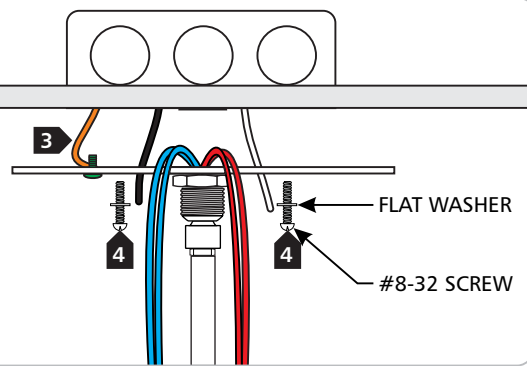
NOTE: It is recommended that one person hold the fixture while the electrician connects the power and finishes the installation.

2A



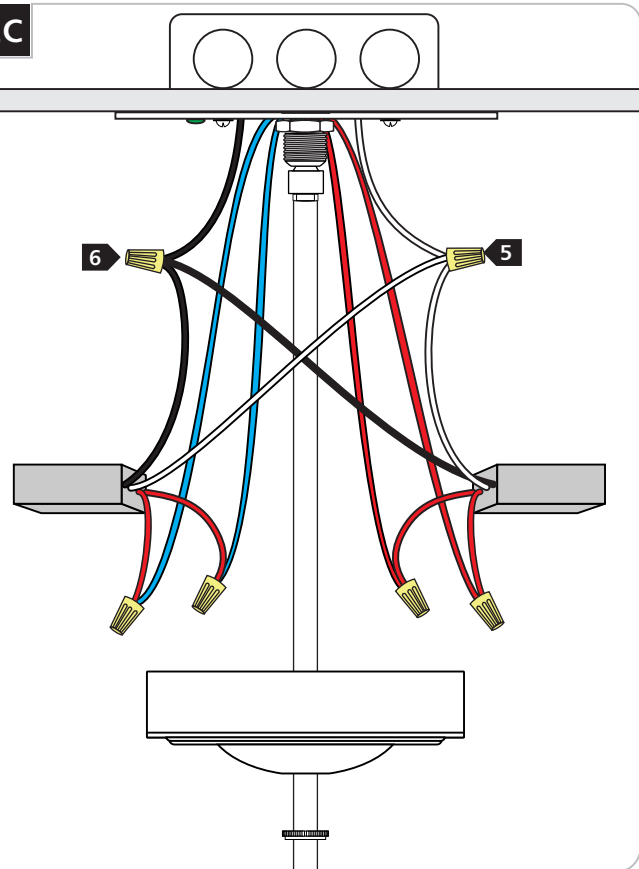
- 1 Connect the red driver wires from one driver to the blue fixture wires with a wire nut.
- 2 Connect the red driver wires from the other driver to the red fixture wires with a wire nut.

2B



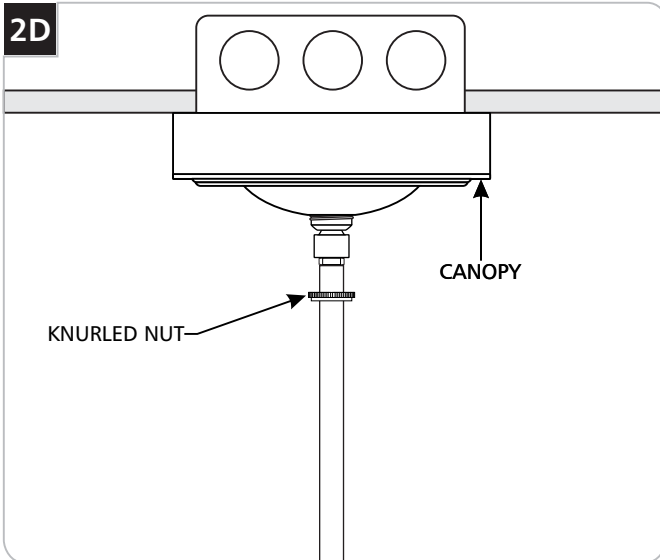
- 3 Ensure the fixture is grounded in accordance with local electrical codes.
- 4 Mount the fixture to the electrical box with the two provided flat washers and #8-32 screws.

2C

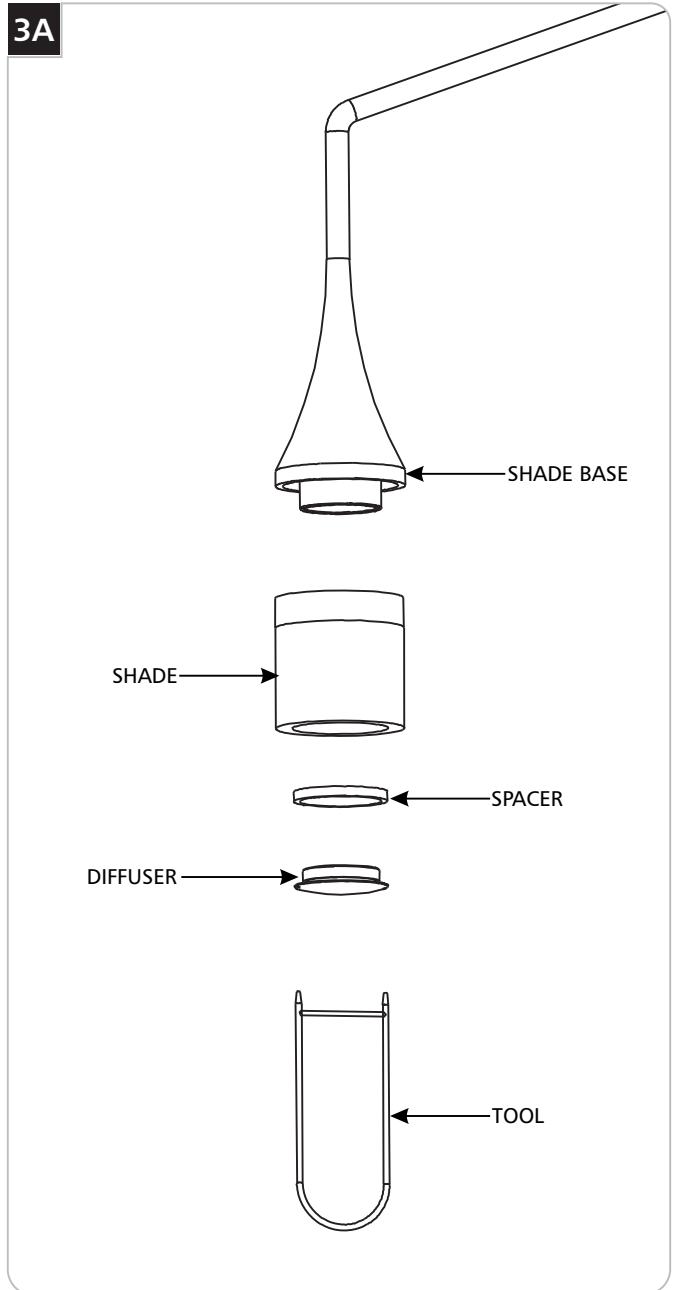


- 5 Connect the white driver wires to the neutral power line wire with a wire nut.
- 6 Connect the black driver wires to the hot power line wire with a wire nut.

Install the Shades



- 7 Place the drivers, all wires, and wire nut connections properly inside the canopy, place the canopy flush onto the ceiling, and secure it by reinstalling the knurled nut.



- 1 Place the shade, spacer, and diffuser into the shade base, then secure them in place by screwing the diffuser into the shade base using the tool. Repeat for remaining shades. **Do not over tighten, over tightening can cause the glass or tool to break resulting in injury.**

SAVE THESE INSTRUCTIONS!



7400 Linder Ave, Skokie, IL 60077
847.410.4400

www.techlighting.com

© 2016 Tech Lighting, L.L.C. All rights reserved. The "Tech Lighting" graphic is a registered trademark of Tech Lighting, L.L.C. Tech Lighting reserves the right to change specifications for product improvements without notification.

A Generation Brands Company