



GENERAL PRODUCT INFORMATION:

This product is suitable for damp locations.

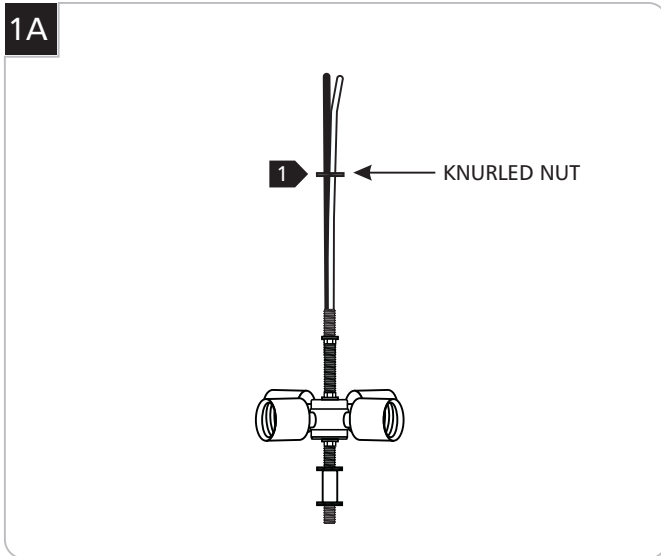
This product can be dimmed with a standard incandescent dimmer.

This instruction shows a typical installation.

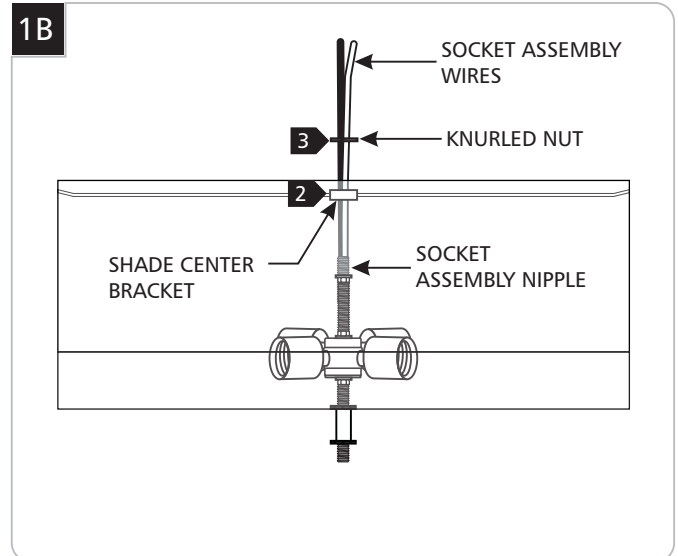


Installing the Fixture

CAUTION: To reduce the risk of a burn or electric shock during re-lamping, disconnect the power to the fixture.



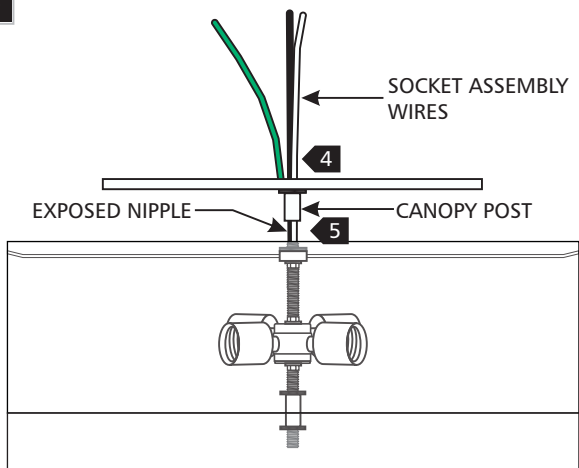
1 Unscrew and remove the knurled nut from the socket assembly.



2 Feed the socket assembly wires through the shade center bracket hole and the knurled nut.

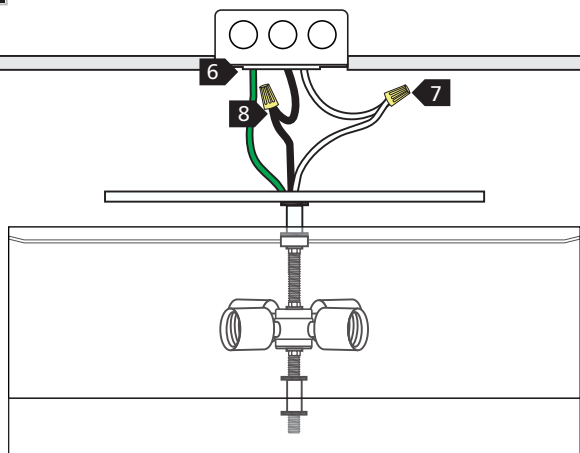
3 Tighten the knurled nut completely to the socket assembly exposed nipple.

1C



- 4 Feed the socket assembly wires through the canopy post.
- 5 Rotate the canopy clockwise to tighten the canopy post completely to the exposed nipple.

1D

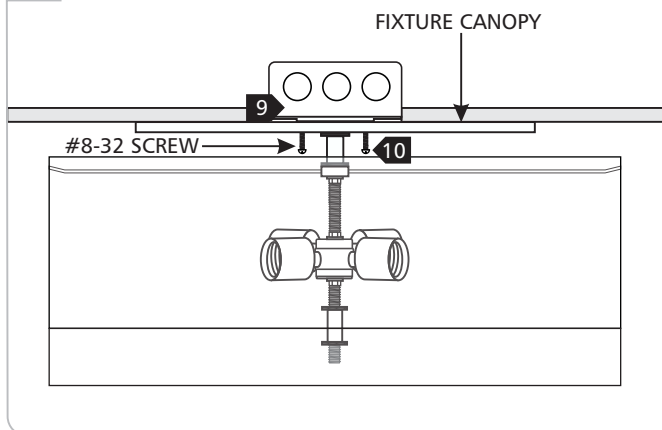


NOTE: Use the provided universal round crossbar when the canopy holes do not line up with the electrical box holes.

NOTE: It is recommended that one person hold the chandelier while the electrician connects the power and installs the canopy cover.

- 6 Make sure fixture canopy is grounded in accordance with local electrical codes.
- 7 Connect the fixture white wire to the neutral power line wire with a wire nut.
- 8 Connect the fixture black wire to the hot power line wire with a wire nut.

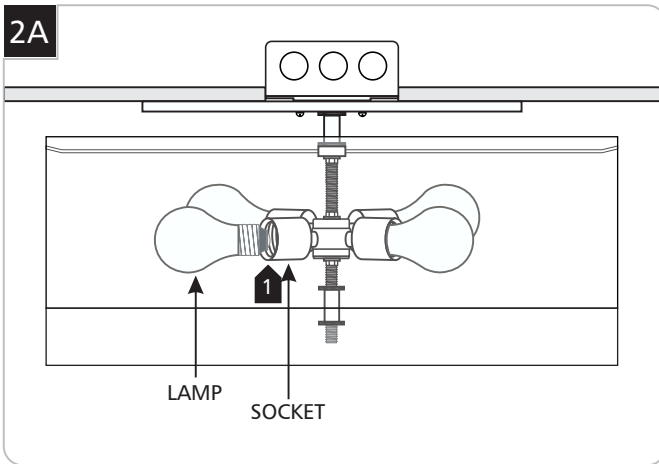
1E



- 9 Place all wires and wire nut connections inside the electrical box.
- 10 Mount the fixture canopy to the electrical box with the provided two #8-32 screws.

Installing the Lamps & Glass Disk

2A



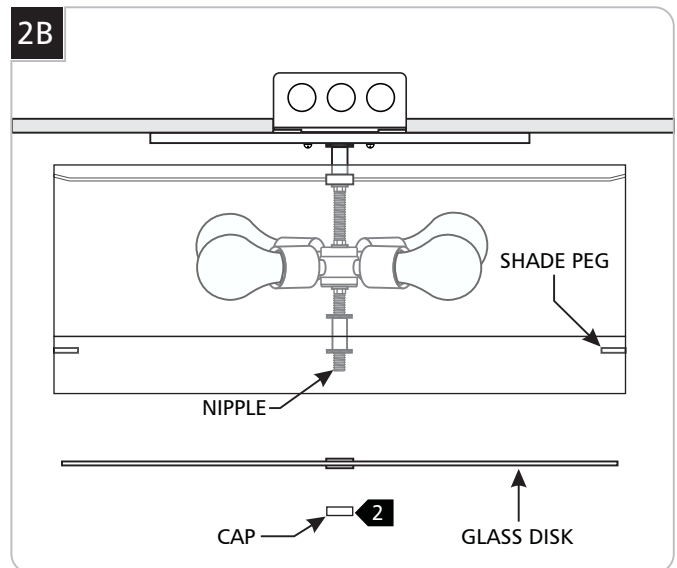
CAUTION: To reduce the risk of a burn or electric shock during relamping, disconnect the power to the fixture.

Use **MAX** 120 Volt, **60 Watt** A19 (medium) base lamp with each socket.



1 Screw the lamps into the sockets.

2B



2 Place the glass disk onto the nipple and secure it against the shade pegs with the cap.

NOTE: Do not over tighten the cap. Overtightening may break the glass and result in injury. Ensure that the silicone grommet in the glass disk is in place.

SAVE THESE INSTRUCTIONS!



7400 Linder Ave, Skokie, IL 60077
847.410.4400

www.techlighting.com

© 2013 Tech Lighting, L.L.C. All rights reserved. The "Tech Lighting" graphic is a registered trademark of Tech Lighting, L.L.C. Tech Lighting reserves the right to change specifications for product improvements without notification.
A Generation Brands Company