

Finch Float and Flush Square or Round Ceiling (LED)

700FMFIN_-LED

1.3



GENERAL PRODUCT INFORMATION:

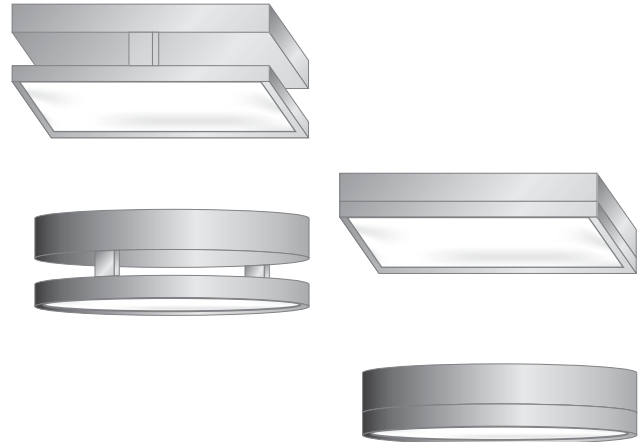


These fixtures are intended to be installed utilizing NEC compliant junction boxes.

This product is suitable for damp locations.

This product may be dimmed with a low-voltage electronic dimmer, TRIAC dimmer, or a 0-10V dimmer depending on the wiring configuration.

This instruction shows a typical installation.

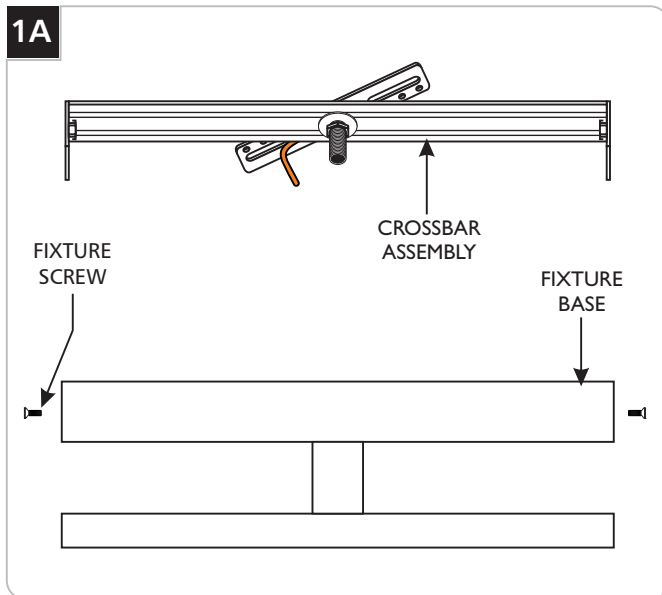


CAUTION - RISK OF FIRE

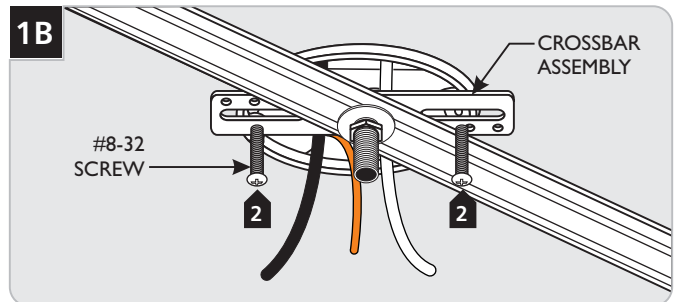
This product must be installed in accordance with the applicable installation code by a person familiar with the construction and operation of the product and the hazards involved.

Use minimum 90°C supply conductors.

Install the Fixture

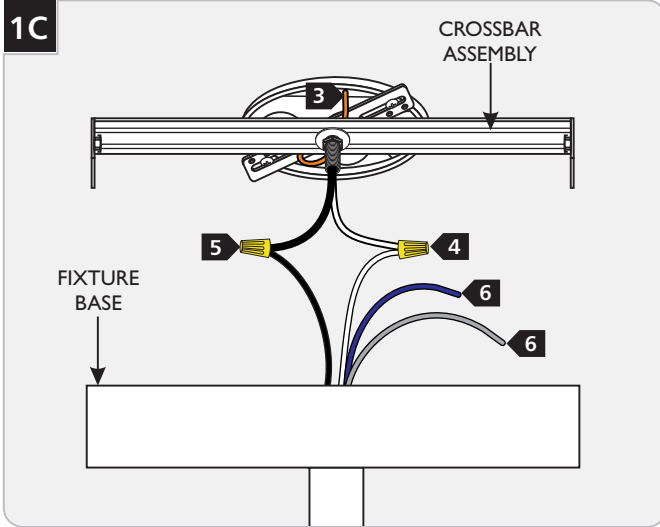


1 Separate the crossbar assembly from the fixture base by unscrewing and removing the two fixture screws.



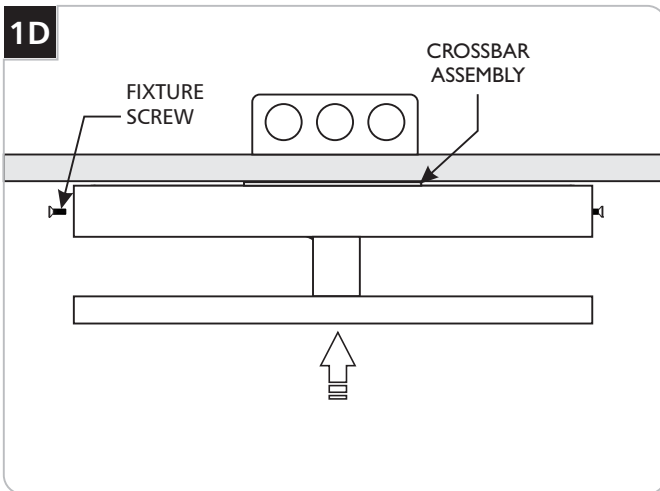
Note: If necessary, loosen the nut on the crossbar to adjust it to the desired position.

2 Mount the crossbar assembly to the electrical box with the two provided #8-32 screws.



- 3 Connect the fixture to a suitable ground in accordance with local electrical codes.
- 4 Connect the white driver wire to the neutral power line.
- 5 Connect the black driver wire to the hot power line.
- 6 Use the gray and purple dimming wires for 0-10V dimming application.

NOTE: The purple and gray wires are only used for 0-10v dimming. For all other applications, cap off and do not connect the gray and purple wires.



- 7 Place all wires and wire nut connections inside the fixture base.
- 8 Align the fixture base holes with the crossbar assembly holes and install the two fixture screws (**DO NOT TIGHTEN**).
- 9 Push the fixture up so that it flush to ceiling and evenly tighten the screws from both sides until the fixture is secure.

SAVE THESE INSTRUCTIONS!

 **TECH LIGHTING®**
 7400 Linder Ave, Skokie, IL 60077
 847.410.4400
www.techlighting.com

© 2016 Tech Lighting, L.L.C. All rights reserved. The "Tech Lighting" graphic is a registered trademark of Tech Lighting, L.L.C. Tech Lighting reserves the right to change specifications for product improvements without notification.
 A Generation Brands Company