

# Bespin Small (LED)

700FMBESS\_-LED 1.0



## GENERAL PRODUCT INFORMATION:

These fixtures are intended to be installed utilizing NEC compliant junction boxes.



This product is suitable for damp or wet locations.

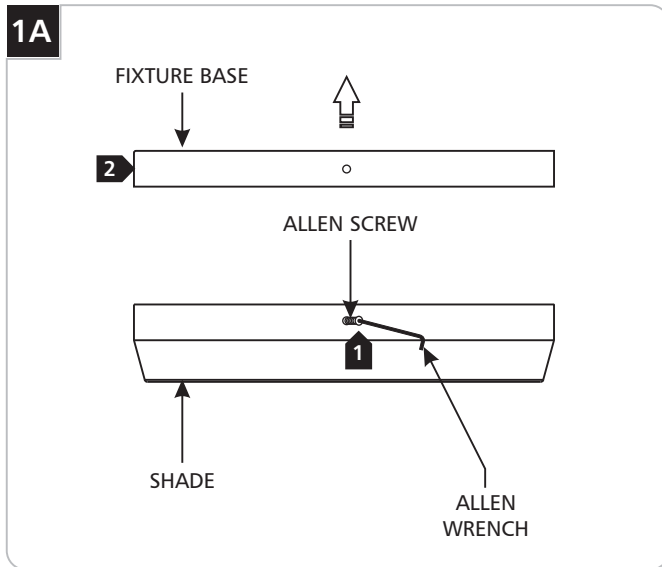
This product can be dimmed with a low-voltage electronic dimmer.

This fixture may be ceiling or wall mounted.

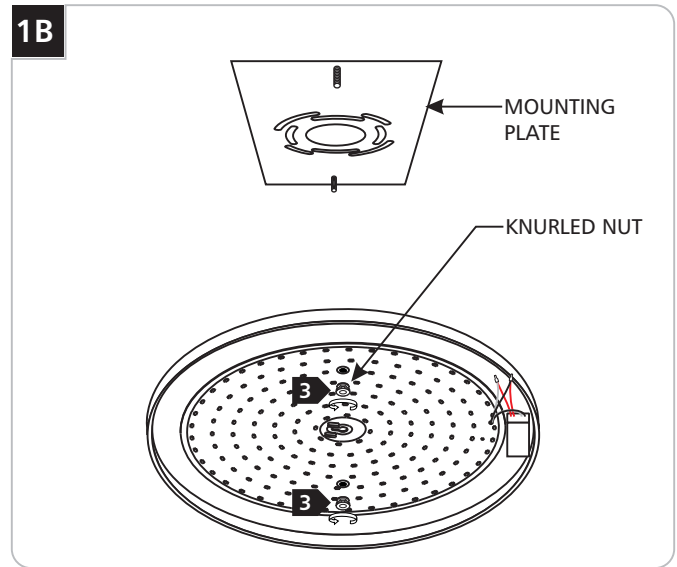
This instruction shows a typical installation.

**CAUTION - RISK OF FIRE**  
 This product must be installed in accordance with the applicable installation code by a person familiar with the construction and operation of the product and the hazards involved.  
 Use minimum 90°C supply conductors.

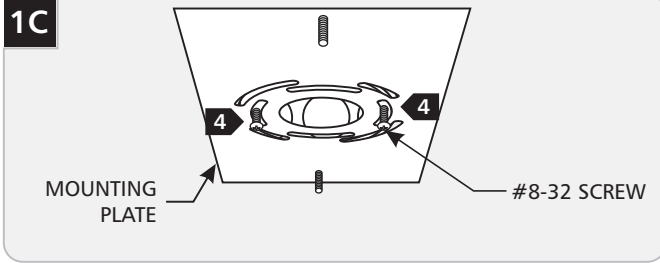
## Install the Fixture



- 1** While supporting the shade, remove the two Allen screws on fixture base with the Allen wrench.
- 2** Remove the fixture base out of the shade.

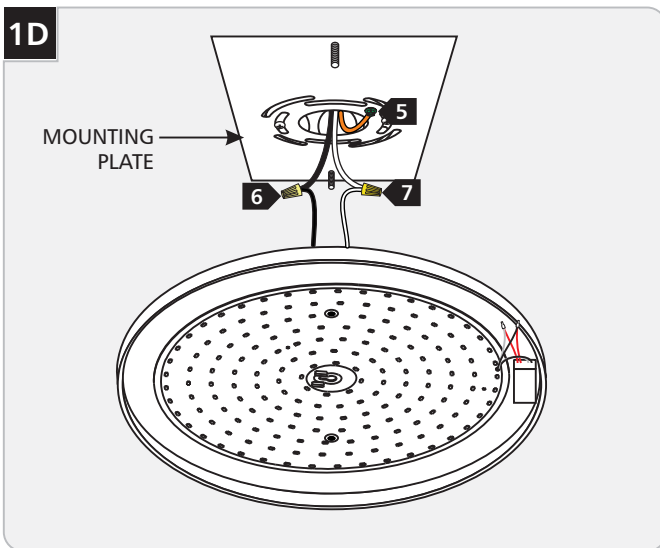


- 3** Remove the mounting plate from the fixture base by unscrewing the two knurled nuts.

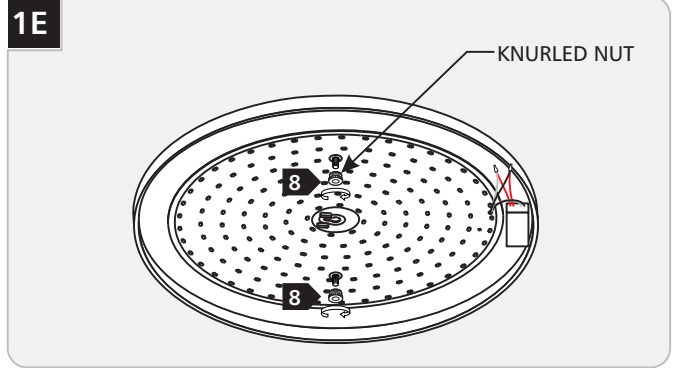


- 4** Secure the mounting plate to the electrical box with 2 #8-32 screws.

**NOTE:** Install the mounting plate so that the studs are parallel or perpendicular to the walls, this will ensure that the fixture is oriented to the room.

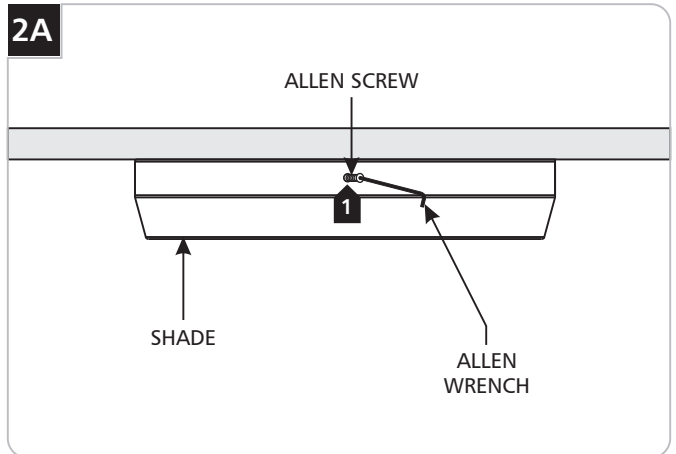


- 5** Connect the fixture to a suitable ground in accordance with local electrical codes.
- 6** Connect the black driver wire to the hot power line wire with a wire nut.
- 7** Connect the white driver wire to the neutral power line wire with a wire nut.



- 8** Mount the fixture base to the ceiling by reinstalling it onto the mounting plate and secure it tightly with the knurled nuts.

## Install the Shade



- 1** Align the holes on the shade with the holes on the fixture base and reinstall the two Allen screws using the Allen wrench.

**SAVE THESE INSTRUCTIONS!**



**TECH LIGHTING®**

7400 Linder Ave, Skokie, IL 60077  
847.410.4400

[www.techlighting.com](http://www.techlighting.com)

© 2016 Tech Lighting, L.L.C. All rights reserved. The "Tech Lighting" graphic is a registered trademark of Tech Lighting, L.L.C. Tech Lighting reserves the right to change specifications for product improvements without notification.

A Generation Brands Company