

**GENERAL PRODUCT INFORMATION:**

This fixture is intended to be installed utilizing NEC compliant junction boxes with a minimum depth of 2".

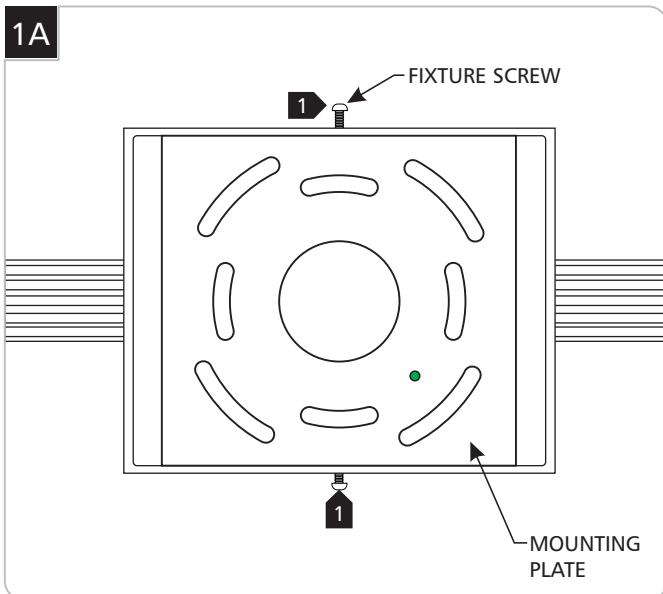


Minimum volume of the junction box must be 6 cubic inches (98 cubic centimeter).

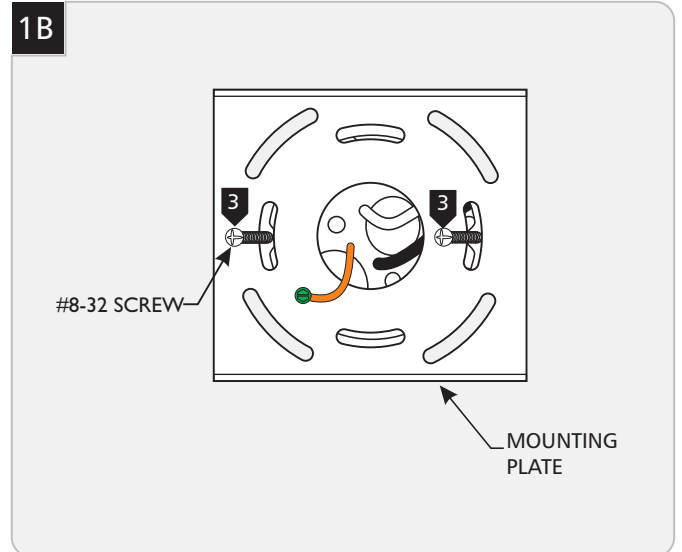
Suitable for damp locations.

**CAUTION - RISK OF FIRE**  
This product must be installed in accordance with the applicable installation code by a person familiar with the construction and operation of the product and the hazards involved.  
**Use minimum 90°C supply conductors.**

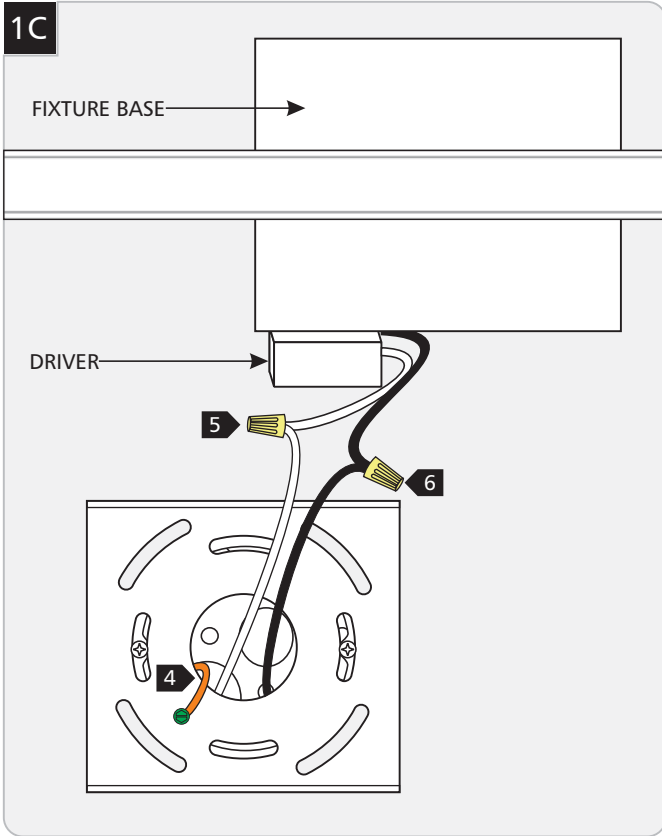
**Install the Fixture**



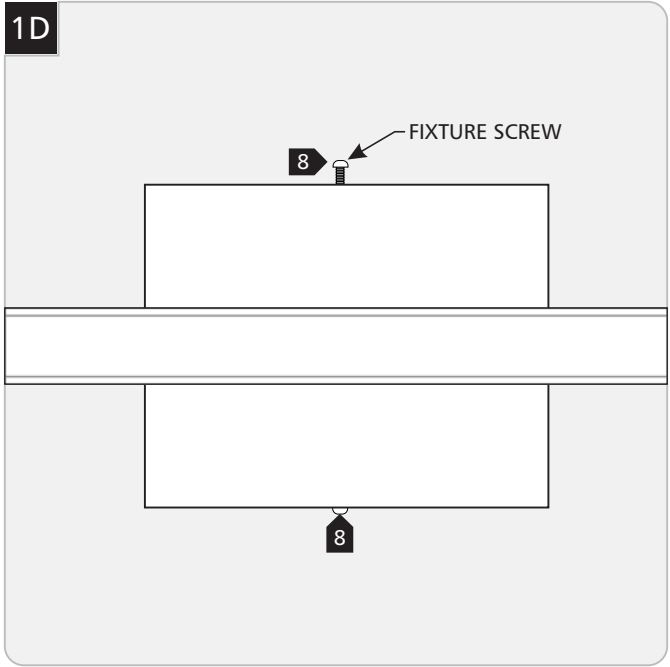
- 1** Remove the two fixture screws from the top and base of the fixture.
- 2** Remove the mounting plate from the back of the fixture.



- 3** Secure the mounting plate to the electrical box with the provided #8-32 screws .



- 4 Connect the fixture to a suitable ground in accordance with local electrical codes.
- 5 Connect the white driver wire to the neutral power line wire with a wire nut.
- 6 Connect the black driver wire to the hot power line wire with a wire nut.
- 7 Properly place the driver, wires, and wire nut connections into the junction box.



- 8 Mount the fixture by sliding it back onto the mounting plate and reinstalling the two fixture screws (reversal of figure 1A).

**SAVE THESE INSTRUCTIONS!**

**TECH LIGHTING®**  
 7400 Linder Ave, Skokie, IL 60077  
 847.410.4400  
 www.techlighting.com

© 2016 Tech Lighting, L.L.C. All rights reserved. The "Tech Lighting" graphic is a registered trademark of Tech Lighting, L.L.C. Tech Lighting reserves the right to change specifications for product improvements without notification.  
 A Generation Brands Company