

# Bridgeport Wall

600BRGW

1.0



## GENERAL PRODUCT INFORMATION:



This product can mount to either a 4" square electrical box with round plaster ring or an octagon electrical box.

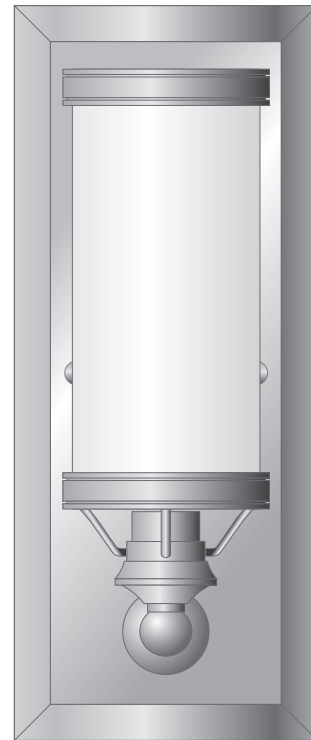
This product is suitable for damp locations.

This product can be dimmed with a standard incandescent dimmer.

This instruction shows a typical installation.

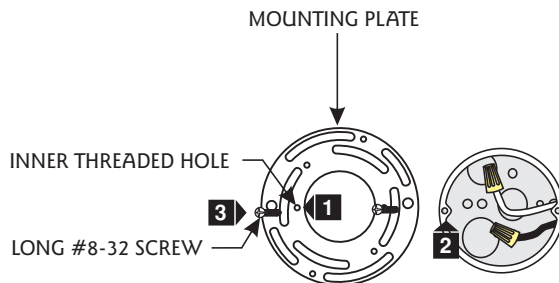
### CAUTION - RISK OF FIRE

This product requires installation by a qualified electrician. Before installing be sure to read all instructions and **TURN THE POWER TO THE ELECTRICAL BOX OFF.**



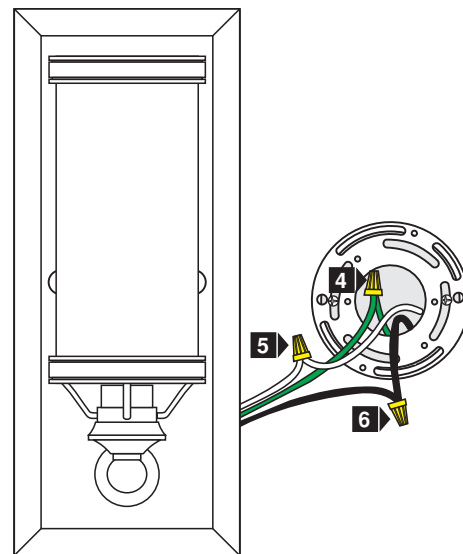
## Install the Fixture

1A



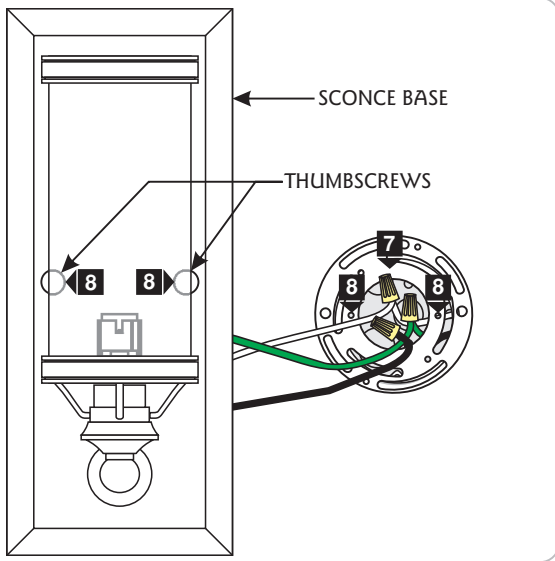
- 1 Make sure the two inner threaded holes on the mounting plate are positioned horizontally.
- 2 Line up two mounting plate slots with the two electrical box holes.
- 3 Level the mounting plate horizontally and secure it to the electrical box with the two Long #8-32 screws provided.

1B



- 4 Connect the ground wire to a suitable ground in accordance with local electrical codes.
- 5 Connect the neutral 120 volt electrical box wire to the white fixture wire with a wire nut.
- 6 Connect the hot 120 volt electrical box wire to the black fixture wire with a wire nut.

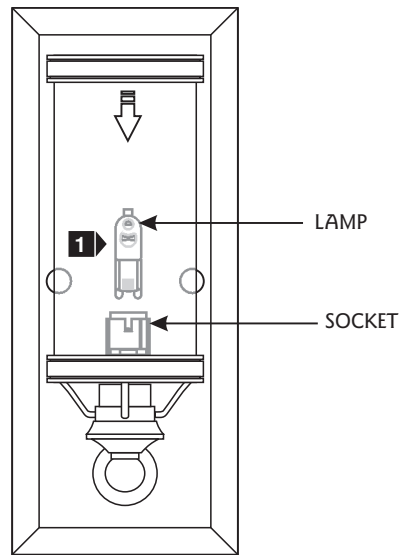
1C



- 7 ▶ Feed the wires and wire nuts into the electrical box.
- 8 ▶ Align the sconce base holes with the inner threaded holes on the mounting plate and tighten the two #8-32 thumbscrews to secure the fixture in place.

## Install the Lamp

2A



**CAUTION:** To reduce the risk of a burn or electric shock during relamping, disconnect the power to the fixture.

**NOTE:** The G9 lamp has an integral glass envelope and is thus safe to be used without a lamp shield.

Use **MAX** 120 Volt, **60** Watt Type T4, G9 Base, Bi-Pin Halogen Lamp.



- 1 ▶ Push the lamp completely into the socket.

**SAVE THESE INSTRUCTIONS!**

WILMETTE LIGHTING  
COMPANY

7400 Linder Ave, Skokie, IL 60077  
847.410.4400

[www.wilmettelighting.com](http://www.wilmettelighting.com)

© 2008 Wilmette Lighting Company. All rights reserved. The "Wilmette Lighting Company" graphic is a registered trademark of Wilmette Lighting Company. Wilmette Lighting Company reserves the right to change specifications for product improvements without notification.

A Generation Brands Company